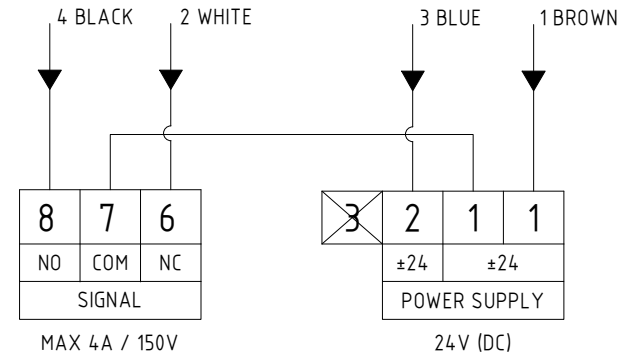


# STANDARD

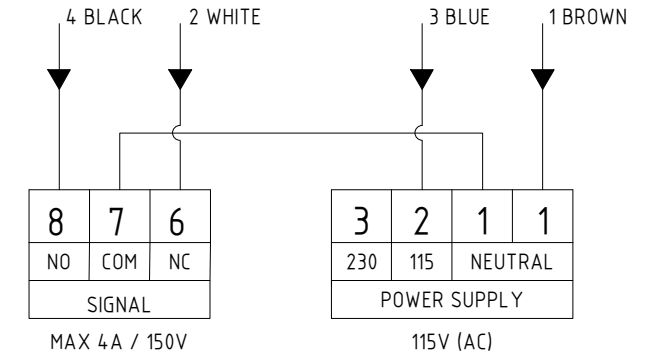
## 24 VDC

M12 pole N.	Color	Signal
1	BROWN	±24V (DC)
2	WHITE	NC
3	BLUE	±24V (DC)
4	BLACK	NO



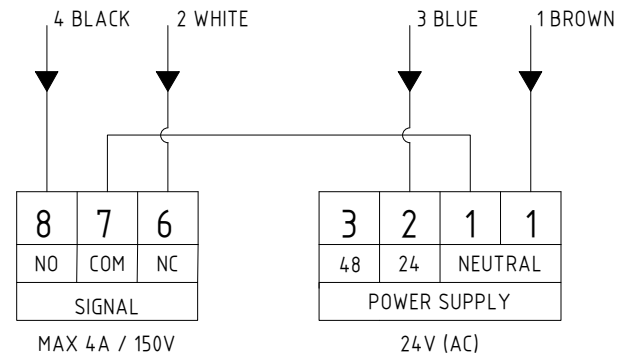
## 115 VAC

M12 pole N.	Color	Signal
1	BROWN	NEUTRAL
2	WHITE	NC
3	BLUE	115V (AC)
4	BLACK	NO



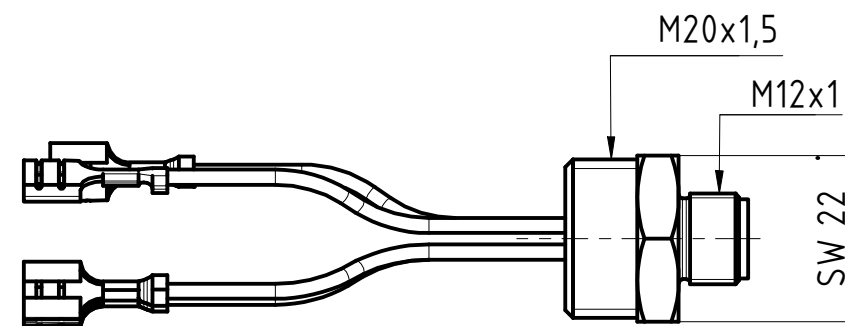
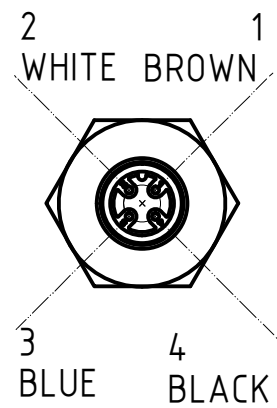
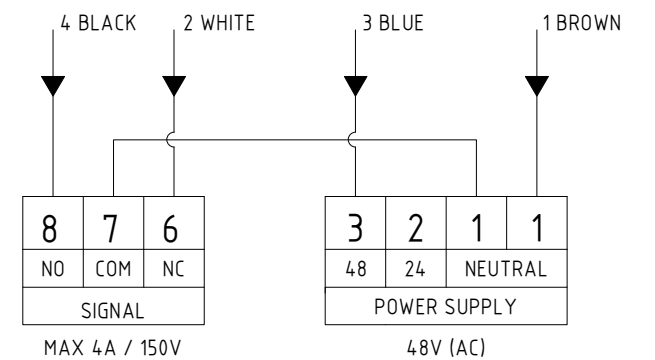
## 24 VAC

M12 pole N.	Color	Signal
1	BROWN	NEUTRAL
2	WHITE	NC
3	BLUE	24V (AC)
4	BLACK	NO



## 48 VAC

M12 pole N.	Color	Signal
1	BROWN	NEUTRAL
2	WHITE	NC
3	BLUE	48V (AC)
4	BLACK	NO



**CONFIDENTIAL / PROPRIETARY  
DO NOT DISTRIBUTE**

® CAMLogic  
- ALL RIGHTS RESERVED -

® CAMLogic  
Via Dell'Industria 12  
42025 Cavriago (RE) - ITALY  
Web: www.camlogic.it

**CAMLogic**®

DRAWING NUMBER  
**0602\_0039\_00**

DRAWN: Guidetti F. 09/07/2024

SCALE: 1 : 1

GENERAL TOL: ISO 2768-mH

FILE: 0602\_0039\_00

DESCRIPTION  
**M12 CONNECTOR CONNECTION DIAGRAMS PFG05**

DRAWING FROM CAD SYSTEM - REFER TO 3D MODEL FOR MISSING DIMENSION - NO MANUAL MODIFICATION ALLOWED

UNLESS OTHERWISE SPECIFIED  
- DIMENSIONS ARE IN mm -

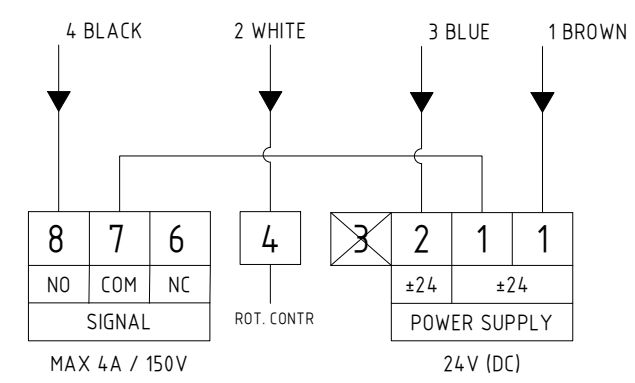
SHEET NO: 1 OF 3

SIZE UNI A3

# ROTATION CONTROL

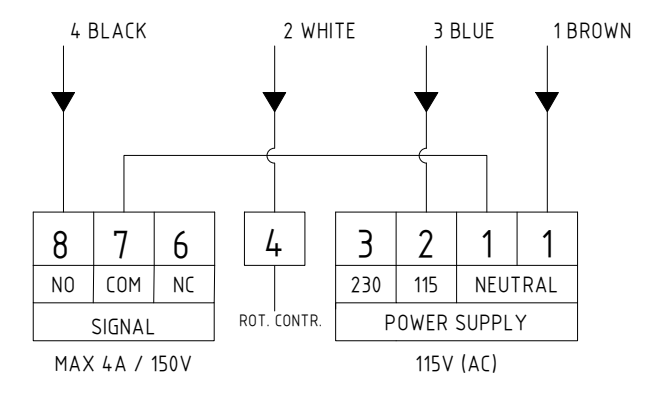
## 24 VDC

M12 pole N.	Color	Signal
1	BROWN	±24 V (DC)
2	WHITE	ROT. CONTR.
3	BLUE	±24 V (DC)
4	BLACK	NO



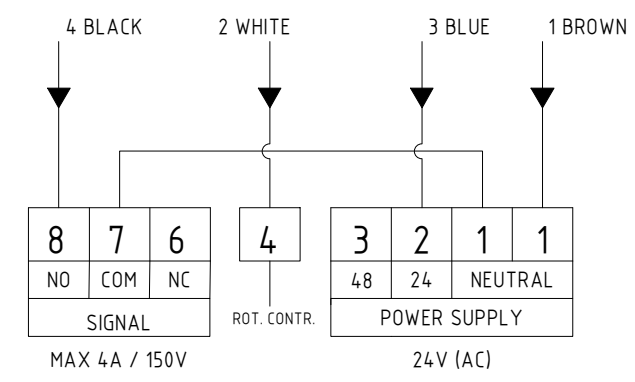
## 115 VAC

M12 pole N.	Color	Signal
1	BROWN	NEUTRAL
2	WHITE	ROT. CONTR.
3	BLUE	115V (AC)
4	BLACK	NO



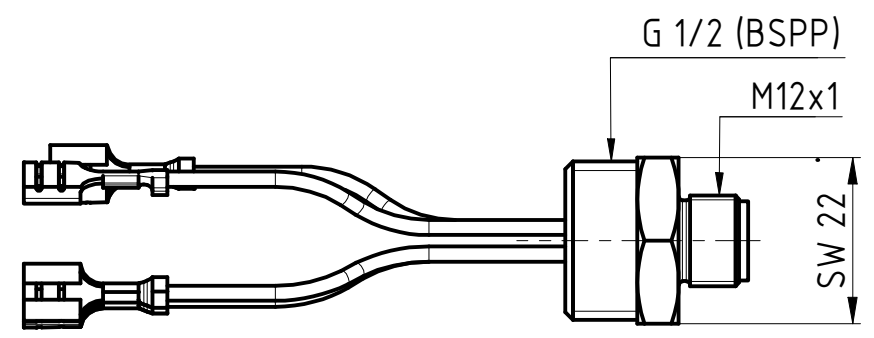
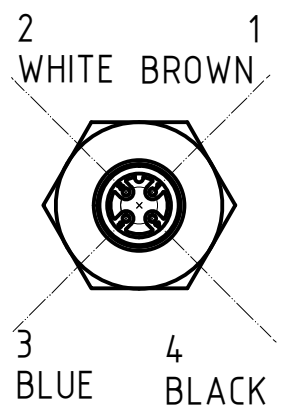
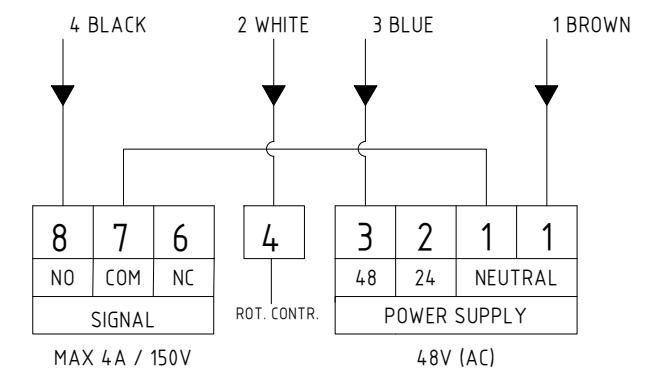
## 24 VAC

M12 pole N.	Color	Signal
1	BROWN	NEUTRAL
2	WHITE	ROT. CONTR.
3	BLUE	24V (AC)
4	BLACK	NO



## 48 VAC

M12 pole N.	Color	Signal
1	BROWN	NEUTRAL
2	WHITE	ROT. CONTR.
3	BLUE	48V (AC)
4	BLACK	NO



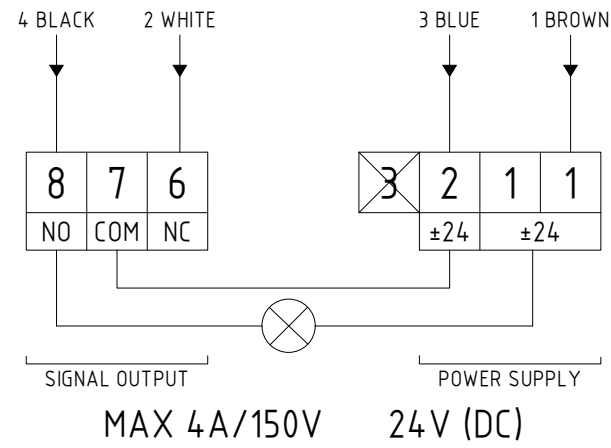
**CONFIDENTIAL / PROPRIETARY  
DO NOT DISTRIBUTE**  
© CAMLogic  
- ALL RIGHTS RESERVED -

<b>© CAMLogic</b> Via Dell'Industria 12 42025 Cavriago (RE) - ITALY Web: www.camlogic.it		DRAWING NUMBER <b>0602_0039_00</b>	
		DRAWN: Guidetti F.	09/07/2024
SCALE: 1 : 1	DESCRIPTION <b>M12 CONNECTOR CONNECTION DIAGRAMS PFG05</b>		REV: 1
GENERAL TOL: ISO 2768-mH			SHEET: 2
FILE: 0602_0039_00	DRAWING FROM CAD SYSTEM - REFER TO 3D MODEL FOR MISSING DIMENSION - NO MANUAL MODIFICATION ALLOWED	UNLESS OTHERWISE SPECIFIED - DIMENSIONS ARE IN mm -	SHEET NO: 2 OF 3

# SIGNAL LAMP

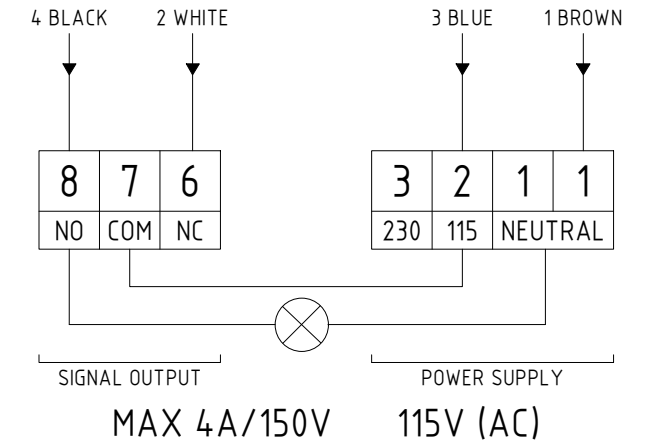
## 24 VDC

M12 pole N.	Color	Signal
1	BROWN	±24V (DC)
2	WHITE	NC
3	BLUE	±24V (DC)
4	BLACK	NO



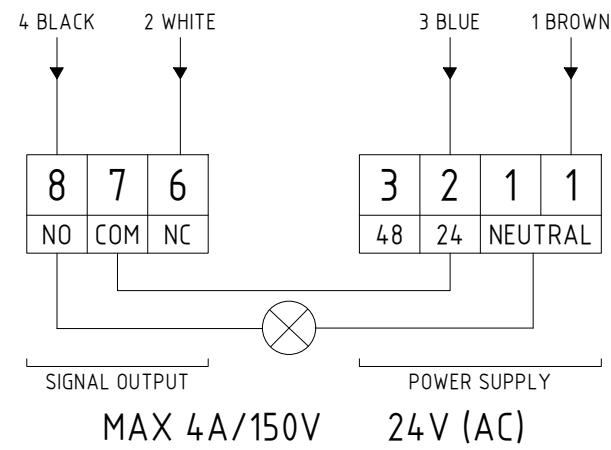
## 115 VAC

M12 pole N.	Color	Signal
1	BROWN	NEUTRAL
2	WHITE	NC
3	BLUE	115V (AC)
4	BLACK	NO



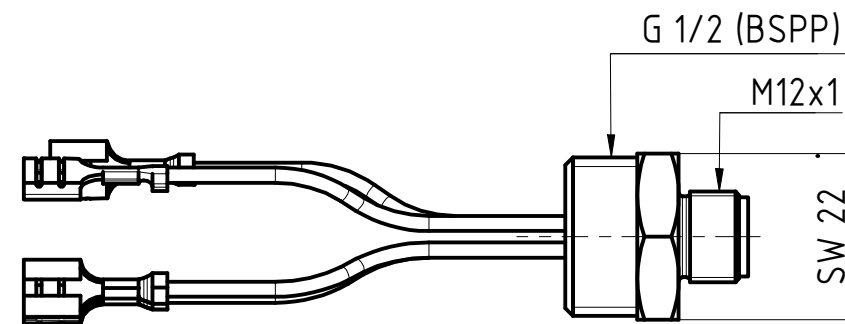
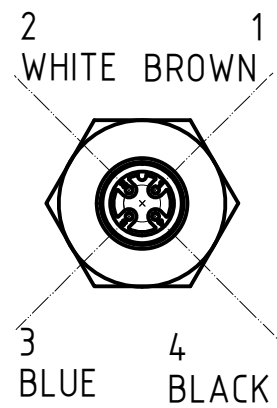
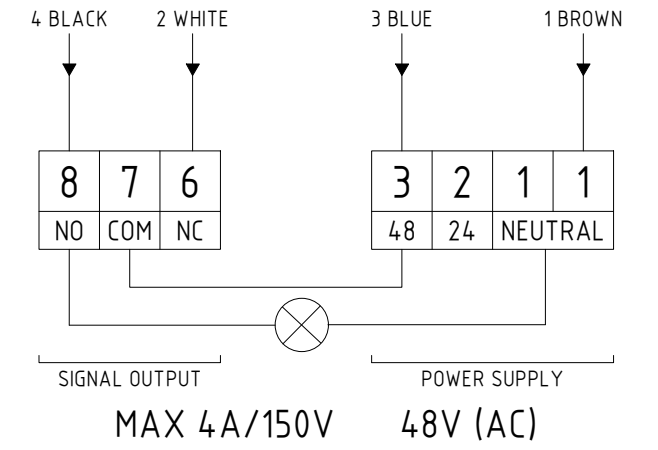
## 24 VAC

M12 pole N.	Color	Signal
1	BROWN	NEUTRAL
2	WHITE	NC
3	BLUE	24V (AC)
4	BLACK	NO



## 48 VAC

M12 pole N.	Color	Signal
1	BROWN	NEUTRAL
2	WHITE	NC
3	BLUE	48V (AC)
4	BLACK	NO



**CONFIDENTIAL / PROPRIETARY  
DO NOT DISTRIBUTE**

® CAMLogic  
- ALL RIGHTS RESERVED -

<b>® CAMLogic</b> Via Dell'Industria 12 42025 Cavriago (RE) - ITALY Web: www.camlogic.it		DRAWING NUMBER	
		<b>0602_0039_00</b>	
SCALE: 1 : 1	DESCRIPTION	DRAWN: Guidetti F.	09/07/2024
GENERAL TOL: ISO 2768-mH		M12 CONNECTOR CONNECTION DIAGRAMS PFG05	
FILE: 0602_0039_00	DRAWING FROM CAD SYSTEM - REFER TO 3D MODEL FOR MISSING DIMENSION - NO MANUAL MODIFICATION ALLOWED	UNLESS OTHERWISE SPECIFIED - DIMENSIONS ARE IN mm -	SHEET NO: 3 OF 3

SIZE UNI A3