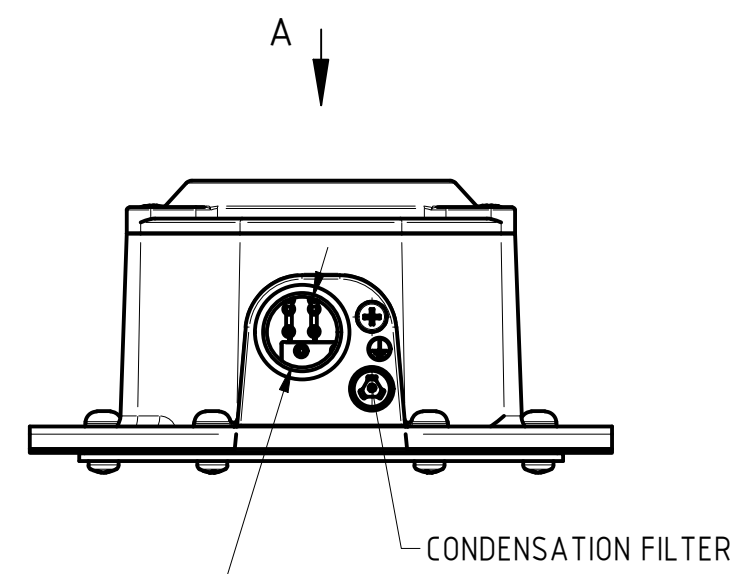
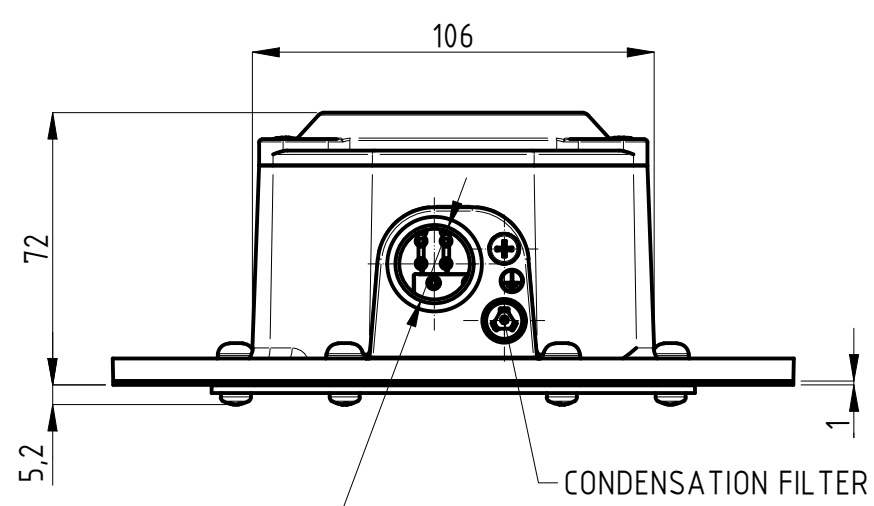
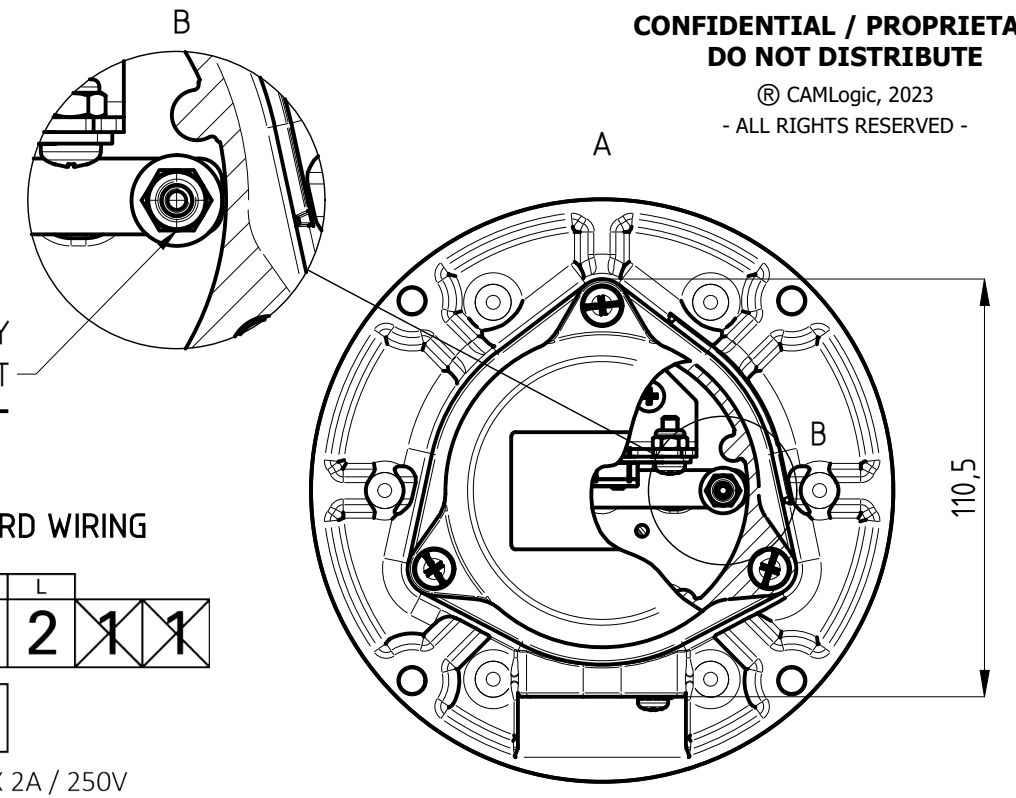
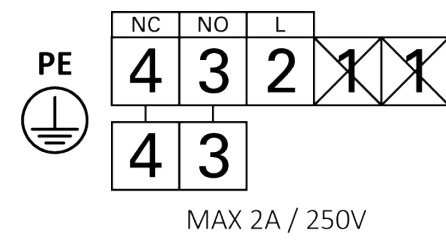


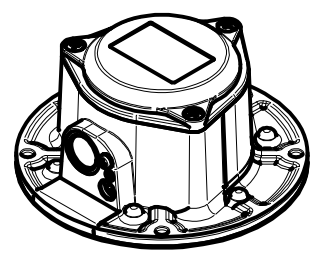
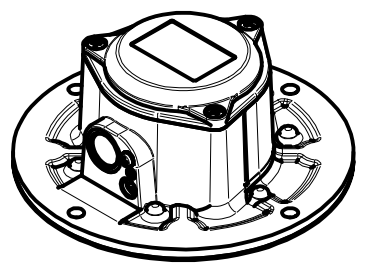
SENSITIVITY ADJUSTMENT
 - ~ +

STANDARD WIRING



AVAILABLE THREADS:
 G1/2 - M20 - 1/2NPT

AVAILABLE THREADS:
 G1/2 - M20 - 1/2 NPT



Model	MN21T/MN21TF
Type	Overpressure indicator
Weight	1,026/0,910 [Kg]
Power supply	No power supply needed
Signal output	SPDT potential free changeover contact (max 2A / 250VAC)
Microswitch mechanical life	Minimum 5x10 ⁶ cycles
Sensitivity range	Standard from 200 to 1000 mbar
Protection	IP65
Housing	Aluminium (powder coated)
Flange	Aluminium (counter flange AISI316)
Membrane	EPDM & Stainless steel (AISI 316)
Ambient temperature range	-20 to +70 [°C] / -4 to +158 [°F]
Process temperature range	-40 to +85 [°C] / -40 to +185 [°F]
EU Directive	2011/65/EU (RoHS) 2014/30/EU (EMC) 2014/35/EU (LVD) 2014/34/EU (ATEX) 1935/2004/EC (Food contact compliance)
Ex type of protection (ATEX)	II 1/2D Ex ta/tb IIIC T85°C IP65 Da/Db
Ex type of protection (IECEx)	Ex ta/tb IIIC T85°C Da/Db

® CAMLogic
 Via dell'Industria 12
 42025 Cavriago (RE) - ITALY
 www.camlogic.it

CAMLogic®

DRAWING N.
0602_0036_00

SHEET:
 1 OF 2
 REV: 01

GENERAL TOL.: ISO 2768-mH

UNLESS OTHERWISE SPECIFIED
 DIMENSION ARE IN (mm)

SCALE: **1:2**

DRAWN F.V.
 DATE 18/10/2023

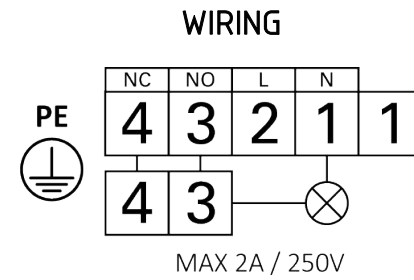
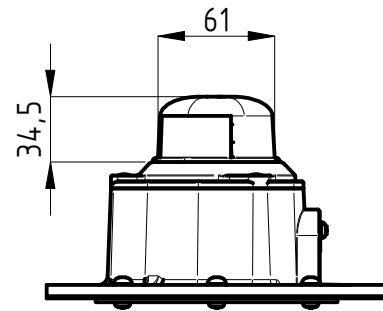
- SIGNAL LAMP

An optional LED lamp can be added to the level indicator, placed on top of the lid and connected to the NC contact.

A single power supply voltage must be defined between:
24V (AC/DC), 48V (AC), 115V (AC) or 230V (AC).

Not available with IECEx certification.

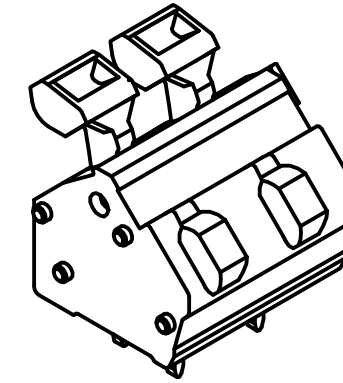
Only available with ATEX marking: II 3 Ex tc IIIB T85°C IP65 Dc



- SPRING TERMINAL BLOCK

Tension clamp spring connection.
No tool needed for wires connection.

0.13 - 2.5 mm² (IEC) / 26 - 14 AWG (UL)

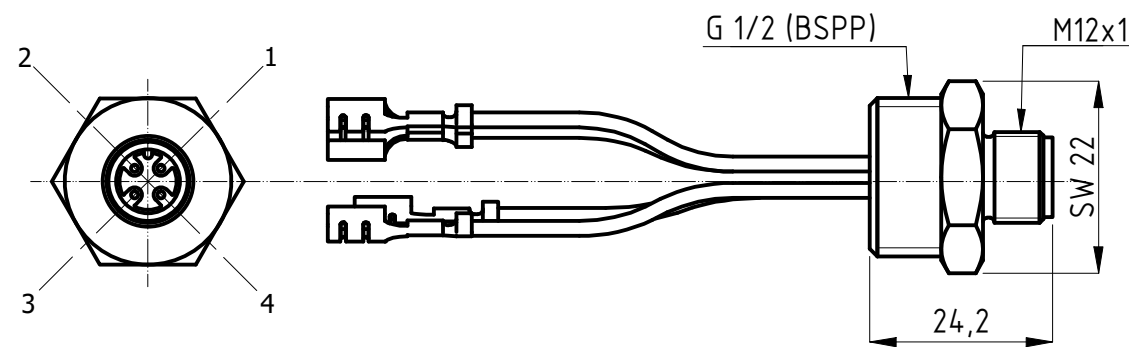


- M12 CIRCULAR CONNECTOR

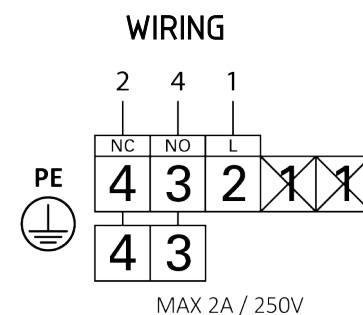
It is possible to add the 4-poles M12 circular connector, for a quick and reliable electrical connection.

It is mounted through a G 1/2 reduction on the M21 cable entry, and is therefor only available for models with a G 1/2 cable entry.

Rated a power supply of up to 150V (AC/DC) , max. contacts capacity 2A.



M12 pole N.	Signal
1	L
2	NC
3	N (Lamp only)
4	NO



® CAMLogic
Via dell'Industria 12
42025 Cavriago (RE) - ITALY
www.camlogic.it

CAMLogic®

DRAWING N.
0602_0036_00

SHEET:
2 OF 2
REV: 01
DRAWN S.P.
DATE 18/10/2023

GENERAL TOL.: ISO 2768-mH

UNLESS OTHERWISE SPECIFIED
DIMENSION ARE IN (mm)
DRAWING FROM CAD SYSTEM - REFER TO 3D MODEL FOR
MISSING DIMENSION - NO MANUAL MODIFICATION ALLOWED

SCALE: **1:1**

SIZE UNI A3