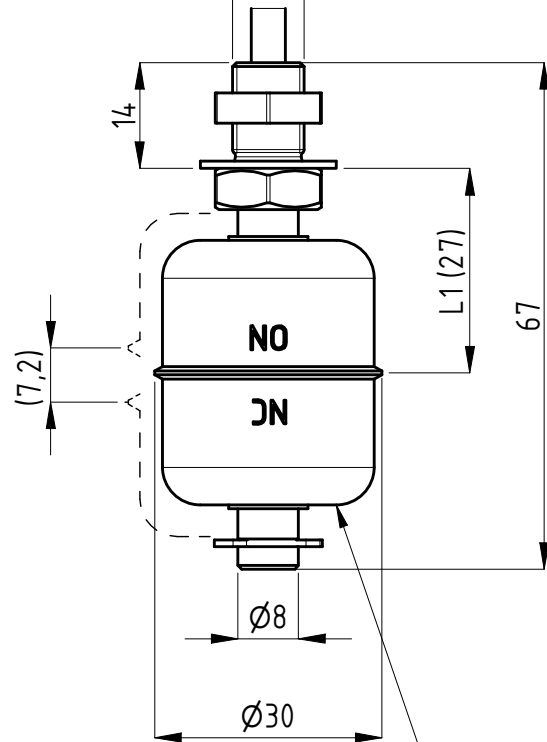
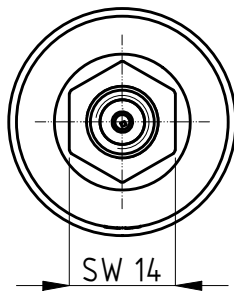
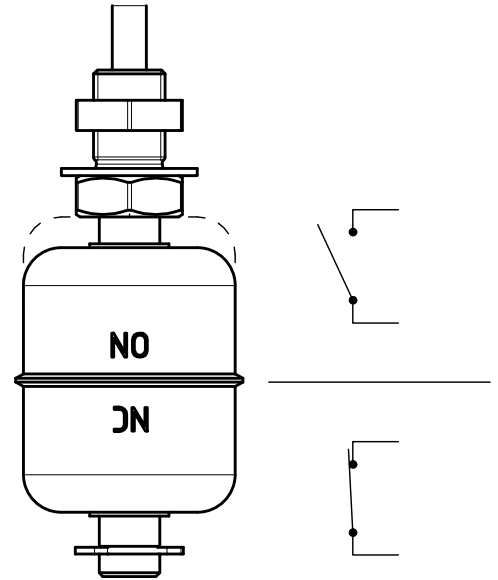


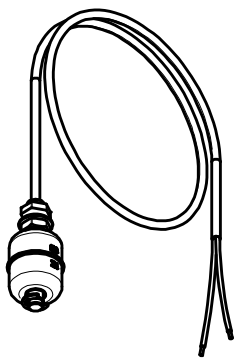
G 1/8" BSPP



density > 0,7 kg/dm<sup>3</sup>



The operating mode may be reversed by removing the spherical float, inverting and then refitting it to the stem.



Model	CLR22
Weight	0,05 [kg]
Power supply	not powered
Signal	SPST / max. 1,5[A]-300[V]- 70[W]
IP grade	IP67
Housing and floating	AISI 316
Connection	G 1/8 (nut and gasket)
Cable	2x0.34 mm <sup>2</sup> (AWG22) - L 600 mm
Ambient temperature	-10 < Ta < +70 [°C]
Process temperature	-10 < Tp < +70 [°C]
MAX pressure	+15 [bar]
Directives	2011/65/EU (RoHS) 2014/35/EU (LVD) 1935/2004/EU (Food compliance)

® CAMLogic  
Via dell'Industria 12  
42025 Cavriago (RE) - ITALY  
www.camlogic.it

**CAMLOGIC**®

DRAWING N.

0602\_0023\_00

SHEET:

1 OF 3

REV: 0

GENERAL TOL.: ISO 2768-mH

UNLESS OTHERWISE SPECIFIED  
DIMENSION ARE IN [mm]

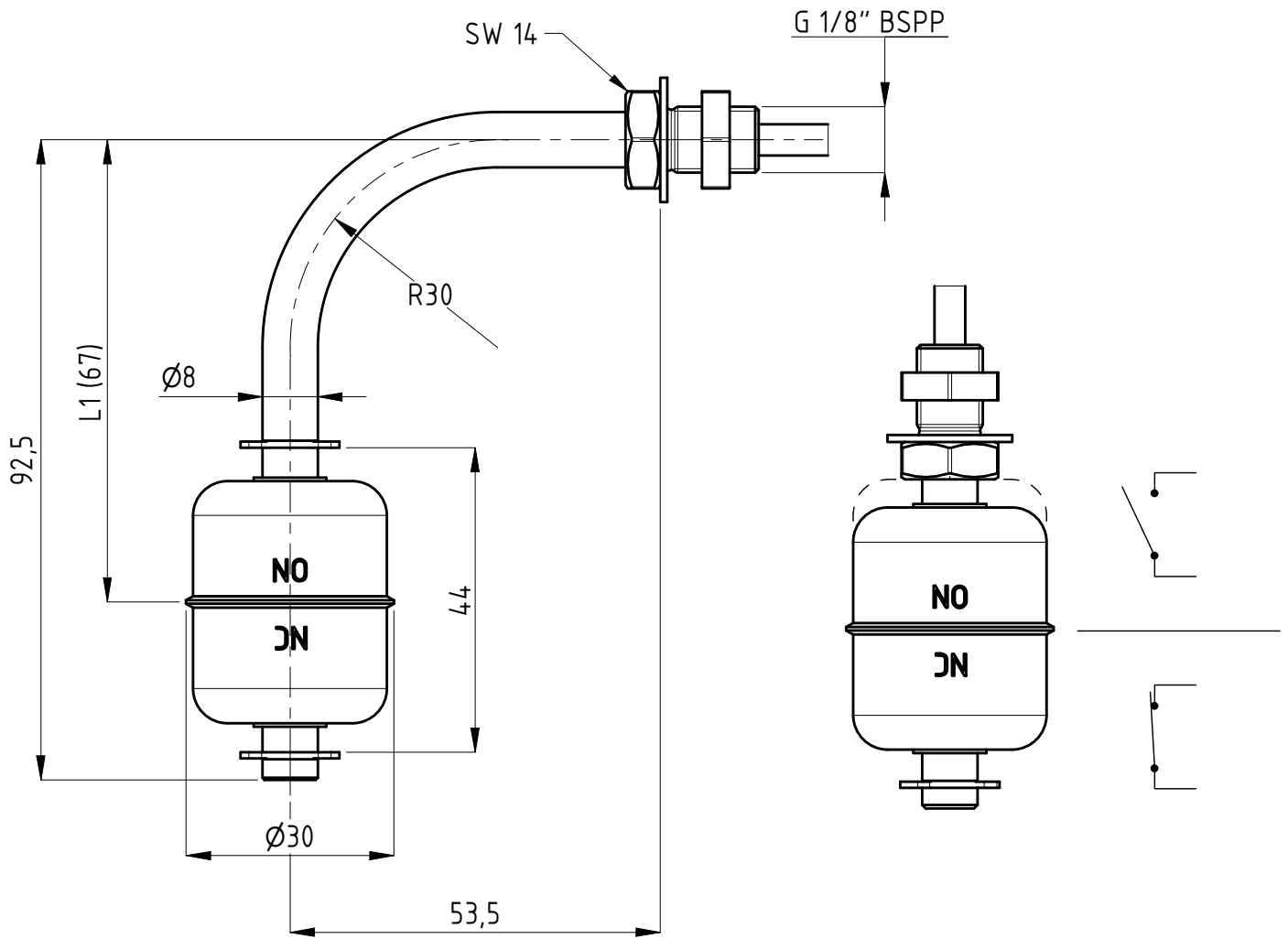
DRAWING FROM CAD SYSTEM - REFER TO 3D MODEL FOR  
MISSING DIMENSION - NO MANUAL MODIFICATION ALLOWED

SCALE: 1:4

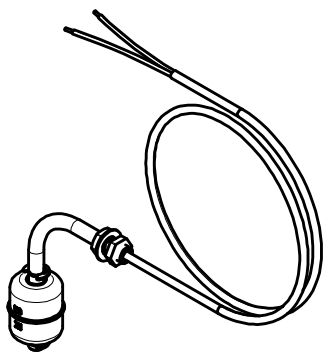
DRAWN Perrone

DATE 07/06/2022

SIZE UNI A4



The operating mode may be reversed by removing the spherical float, inverting and then refitting it to the stem.



Model	CLR22 C
Weight	0,05 [kg]
Power supply	not powered
Signal	SPST / max. 1,5[A]-300[V]- 70[W]
IP grade	IP67
Housing and floating	AISI 316
Connection	G 1/8 (nut and gasket)
Cable	2x0.34 mm <sup>2</sup> (AWG22) - L 600 mm
Ambient temperature	-10 < Ta < +70 [°C]
Process temperature	-10 < Tp < +70 [°C]
MAX pressure	+15 [bar]
Directives	2011/65/EU (RoHS) 2014/35/EU (LVD) 1935/2004/EU (Food compliance)

® CAMLogic  
Via dell'Industria 12  
42025 Cavriago (RE) - ITALY  
www.camlogic.it

**CAMLOGIC**®

DRAWING N.

0602\_0023\_00

SHEET:

2 OF 3

REV: 0

GENERAL TOL.: ISO 2768-mH

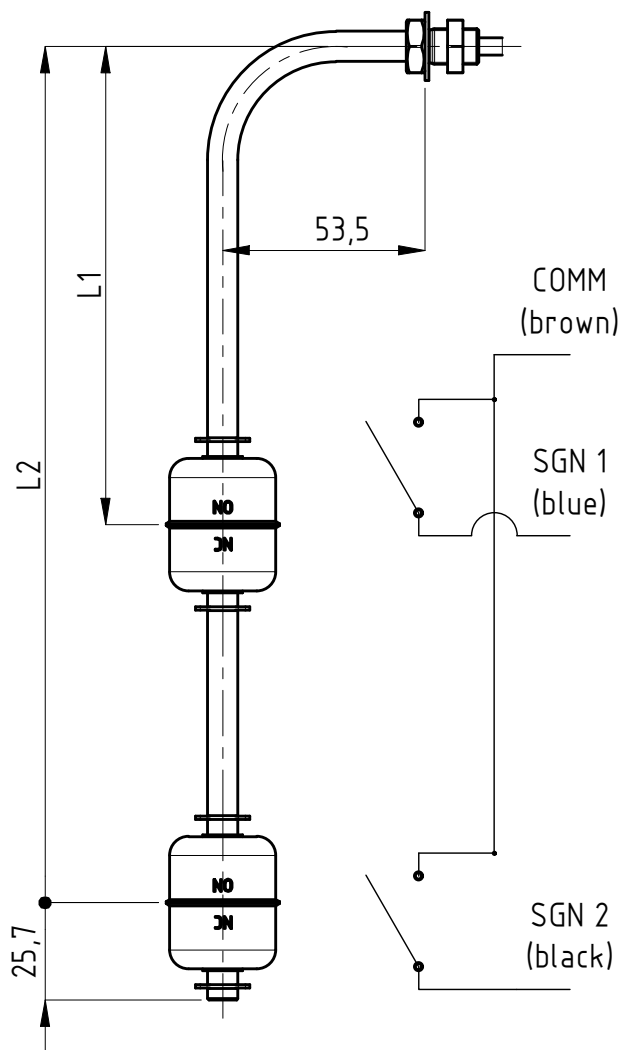
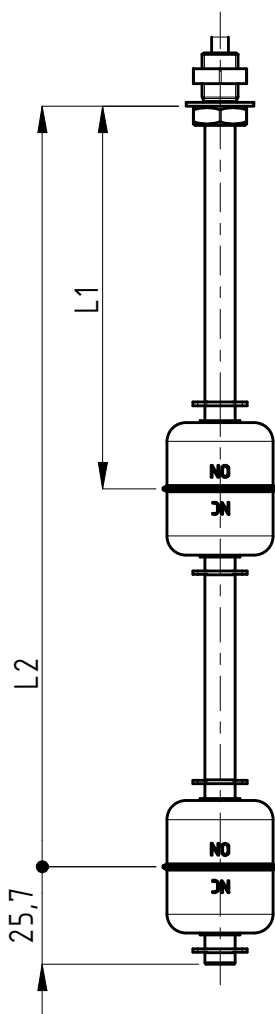
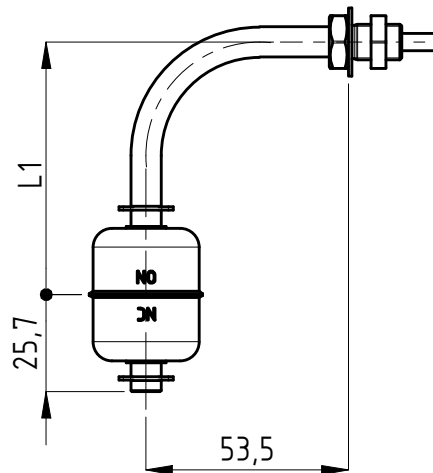
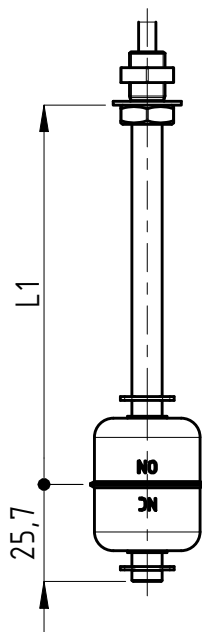
UNLESS OTHERWISE SPECIFIED  
DIMENSION ARE IN [mm]

DRAWING FROM CAD SYSTEM - REFER TO 3D MODEL FOR  
MISSING DIMENSION - NO MANUAL MODIFICATION ALLOWED

SCALE: 1:1

DRAWN Perrone  
DATE 07/06/2022

SIZE UNI A4



L MAX= 1500mm  
 $L2 > L1 + 45$

<p>® CAMLogic Via dell'Industria 12 42025 Cavriago (RE) - ITALY www.camlogic.it</p>		DRAWING N.	SHEET:
		0602_0023_00	3 OF 3

GENERAL TOL.: ISO 2768-mH

UNLESS OTHERWISE SPECIFIED  
DIMENSION ARE IN [mm]

DRAWING FROM CAD SYSTEM - REFER TO 3D MODEL FOR MISSING DIMENSION - NO MANUAL MODIFICATION ALLOWED

SCALE: 1:2

REV: 0

DATE 07/06/2022

SIZE UNI A4