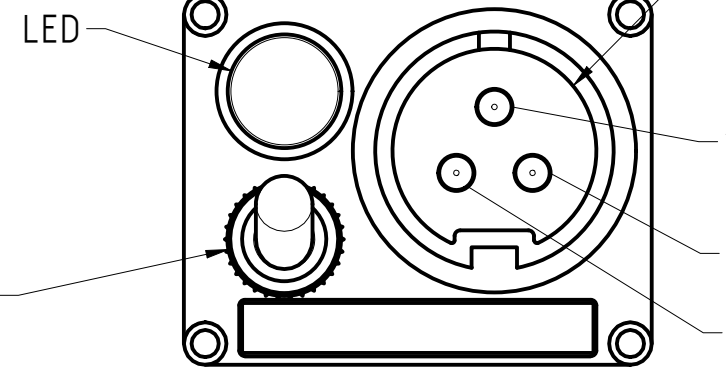
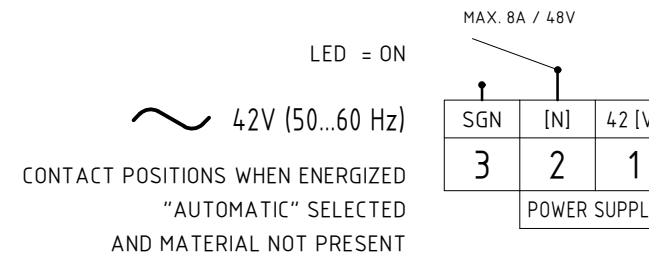
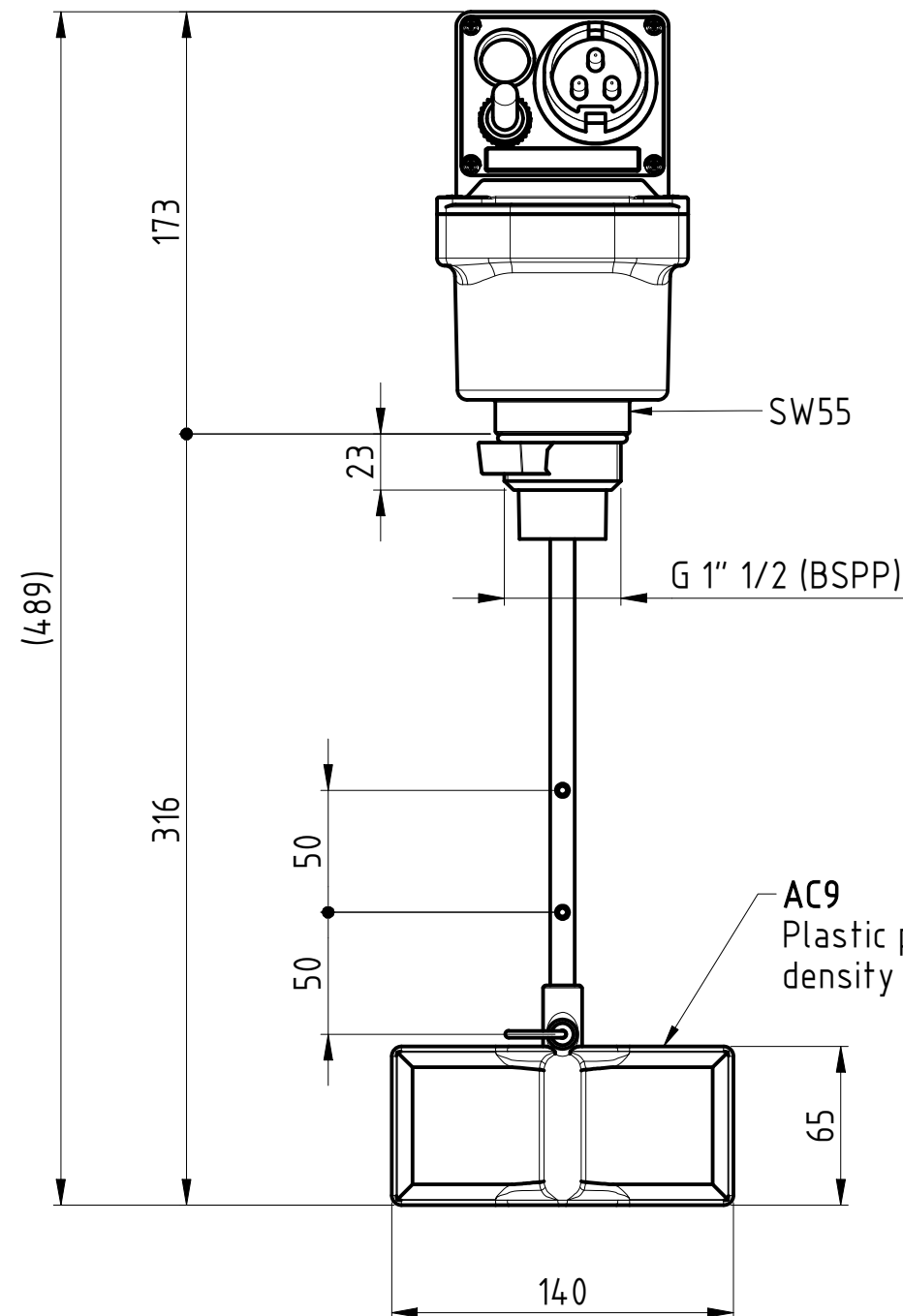
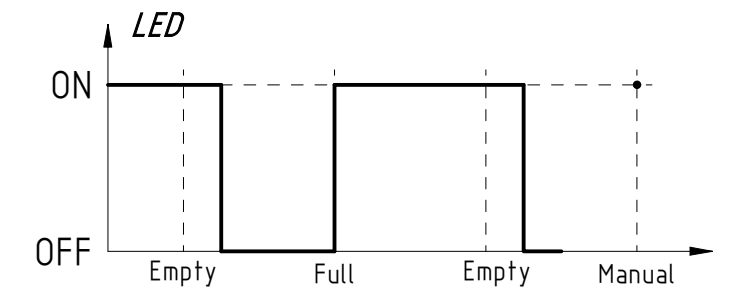
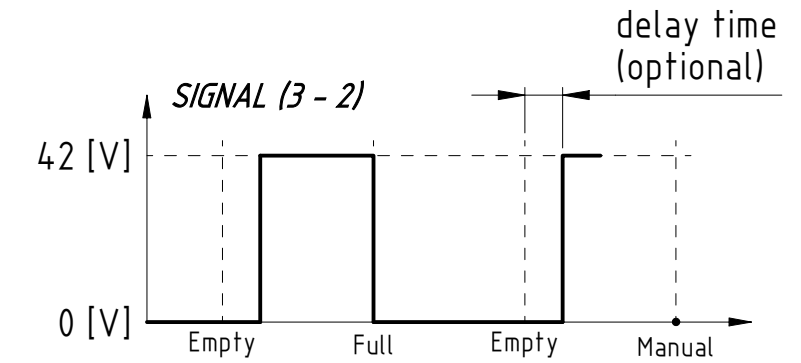


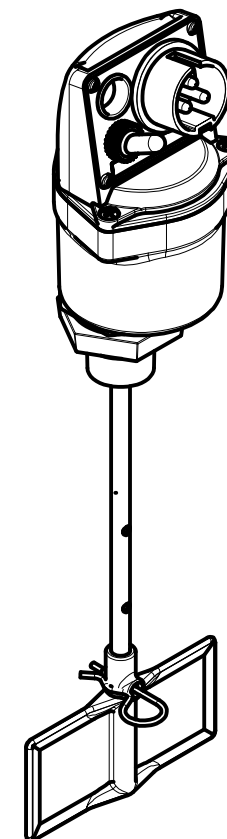
IEC 60309  
3 poles - 50 [V]



MANUAL / AUTOMATIC  
switch



PFG571



Model	PFG571
Option	Delay timer on signal output +5 ... +10 [s] adjustable
Weight	1,3 [Kg]
Power supply	42[V](50...60Hz) - 4[W]
Signal	SPDT / max. 5[A] 250VAC
IP grade	IP54
Housing	Aluminium (powder coated)
Connection	G 1" 1/2 - Cast iron (counter nut & OR included)
Ambient temperature	-20 < Ta < +70 [°C]
Process temperature	-20 < Ta < +70 [°C]
Pressure range	+3 bar
Directives	2011/65/EU (RoHS) 2014/30/EU (EMC)

® CAMLogic  
Via Dell'Industria 12  
42025 Cavriago (RE) - ITALY  
Web: www.camlogic.it

**CAMLogic**®

DRAWING NUMBER  
0602\_0020\_00

DRAWN: Padovani S.

05/08/2024

SCALE: 1 : 3

GENERAL TOL: ISO 2768-mH

FILE: GR02\_0048\_00-02.iam

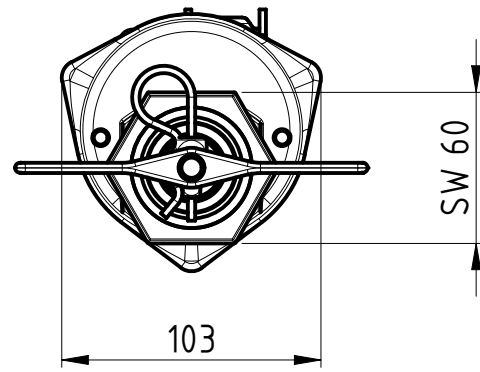
DESCRIPTION  
PFG571 DATASHEET

DRAWING FROM CAD SYSTEM - REFER TO 3D MODEL FOR MISSING  
DIMENSION - NO MANUAL MODIFICATION ALLOWED

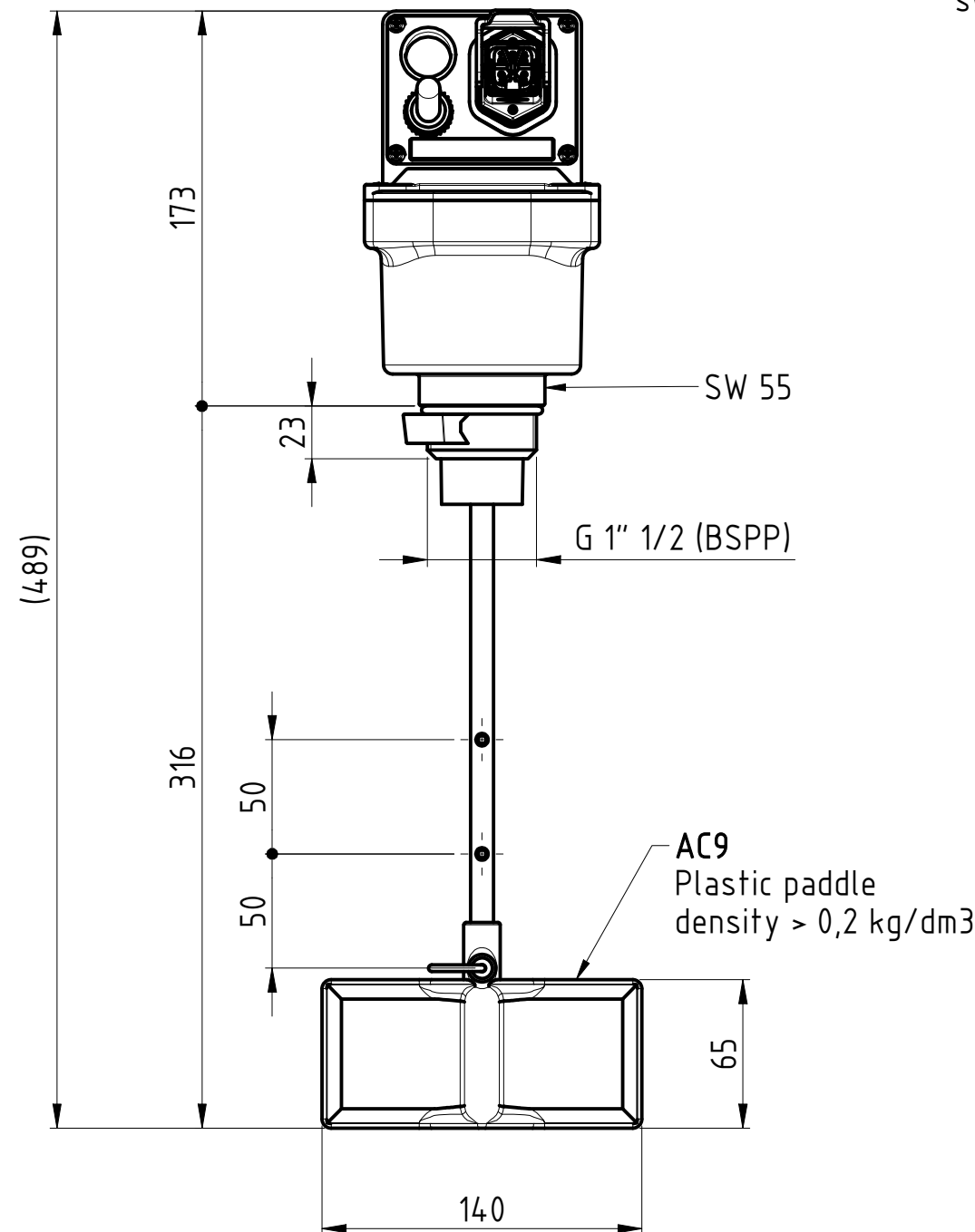
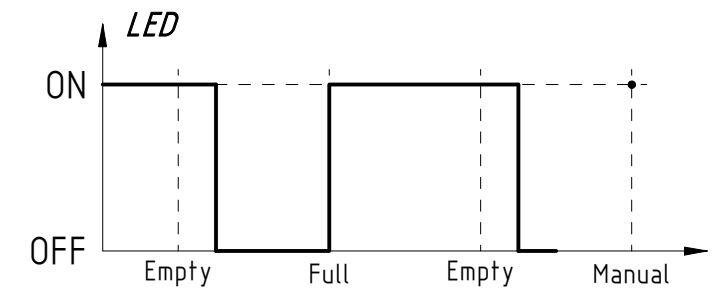
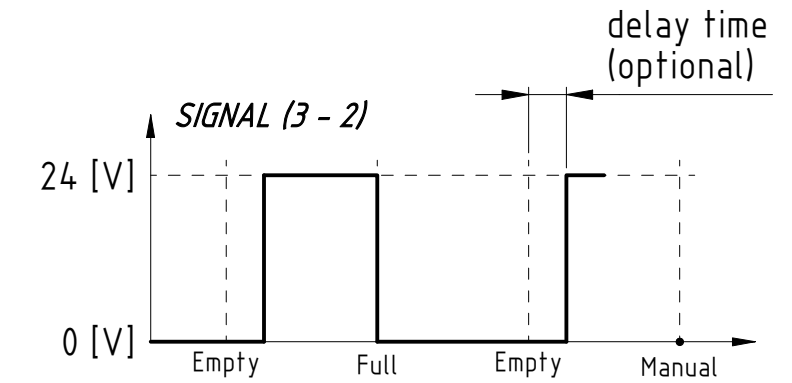
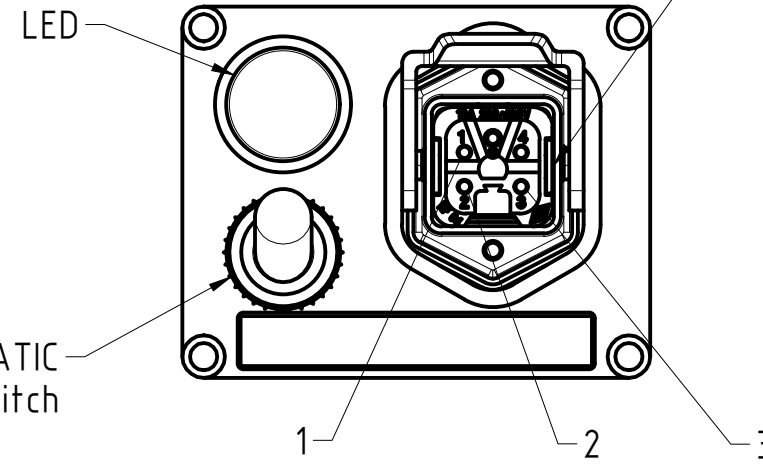
UNLESS OTHERWISE SPECIFIED  
- DIMENSIONS ARE IN mm -

SHEET NO: 1 OF 2

SIZE UNI A3



IEC 60309  
5 poles - 50 [V]

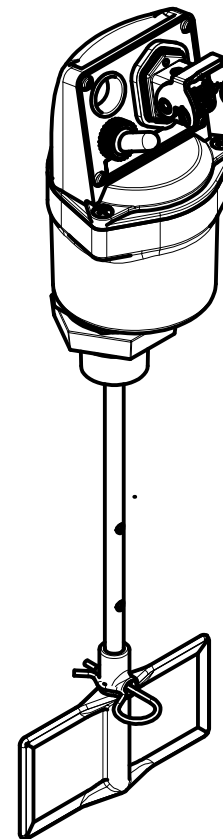


LED = ON  
~ 24 V (50...60 Hz)  
CONTACT POSITIONS WHEN ENERGIZED  
"AUTOMATIC" SELECTED  
AND MATERIAL NOT PRESENT

MAX. 8A / 48V

SGN	[N]	24 [V]
3	2	1
POWER SUPPLY		

PFG571



Model	PFG571
Option	Delay timer on signal output +5 ... +10 [s] adjustable
Weight	1,3 [Kg]
Power supply	24[V](50...60Hz) - 4[W]
Signal	SPDT / max. 5[A] 250VAC
IP grade	IP54
Housing	Aluminium (powder coated)
Connection	G 1" 1/2 - Cast iron (counter nut & OR included)
Ambient temperature	-20 < Ta < +70 [°C]
Process temperature	-20 < Ta < +70 [°C]
Pressure range	+3 bar
Directives	2011/65/EU (RoHS) 2014/30/EU (EMC)

® CAMLogic  
Via Dell'Industria 12  
42025 Cavriago (RE) - ITALY  
Web: www.camlogic.it



DRAWING NUMBER  
0602\_0020\_00

DRAWN: Guidetti F. 31/03/2025

SCALE: 1 : 3  
GENERAL TOL: ISO 2768-mH

DESCRIPTION  
PFG571 DATASHEET

REV:  
SHEET: 2

FILE: GR02\_0052\_00-00.iam

DRAWING FROM CAD SYSTEM - REFER TO 3D MODEL FOR MISSING DIMENSION - NO MANUAL MODIFICATION ALLOWED

UNLESS OTHERWISE SPECIFIED  
- DIMENSIONS ARE IN mm -

SHEET NO: 2 OF 2

SIZE UNI A3