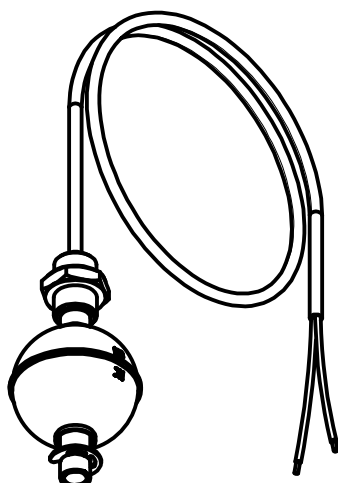


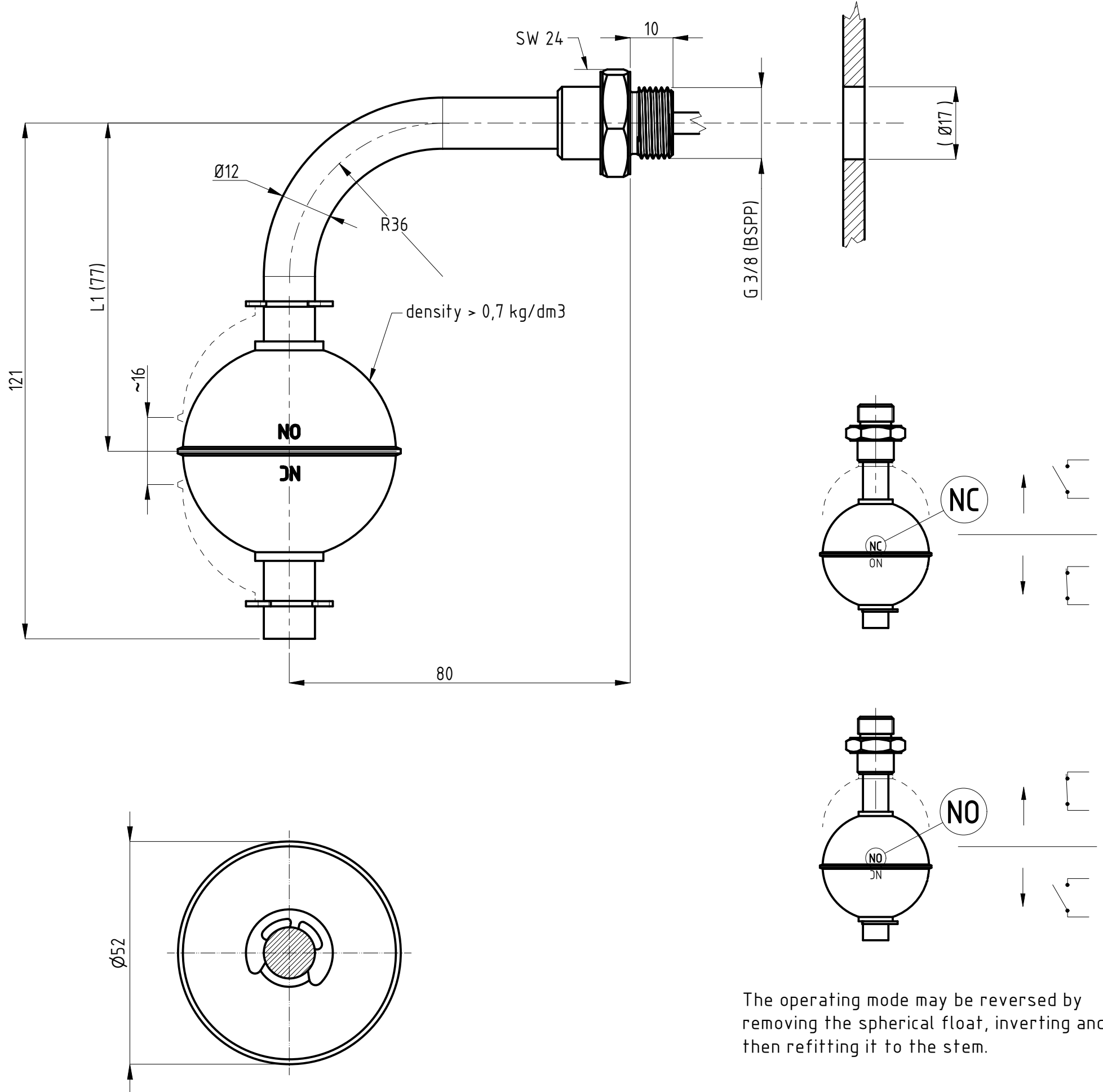
The operating mode may be reversed by removing the spherical float, inverting and then refitting it to the stem.

CLR20 - 1



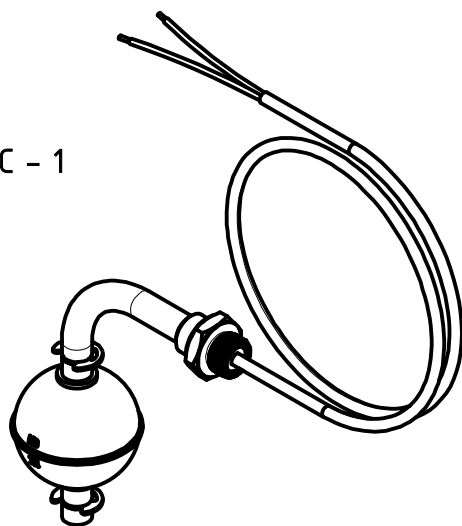
Model	CLR20 - 1
Weight	0,1 [kg]
Power supply	not powered
Signal	SPST / max. 1,3[A]-250[V]- 80[W]
IP grade	IP67
Housing and floating	AISI 316
Connection	G 3/8 (sealing gasket and counternut included)
Cable	2x1mm ² (AWG17) - L = 600 [mm]
Ambient temperature	-10 < Ta < +70 [°C] -40 < Ta < +120 [°C] Silicon cable
Process temperature	-10 < Tp < +70 [°C] -40 < Ta < +120 [°C] Silicon cable
MAX pressure	+15 [bar]
Directives	2011/65/EU (RoHS) 2014/35/EU (LVD) 1935/2004/EU (Food compliance)

<p>® CAMLogic Via dell'Industria 12 42025 Cavriago (RE) - ITALY www.camlogic.it</p>	<p>CAMLOGIC®</p>	DRAWING N.	SHEET:
		0602_0017_00	1 OF 6
GENERAL TOL.: ISO 2768-mH	UNLESS OTHERWISE SPECIFIED DIMENSION ARE IN [mm]	SCALE: 1:1	REV: 2
DRAWING FROM CAD SYSTEM - REFER TO 3D MODEL FOR MISSING DIMENSION - NO MANUAL MODIFICATION ALLOWED		DATE	02.11.2021



The operating mode may be reversed by removing the spherical float, inverting and then refitting it to the stem.

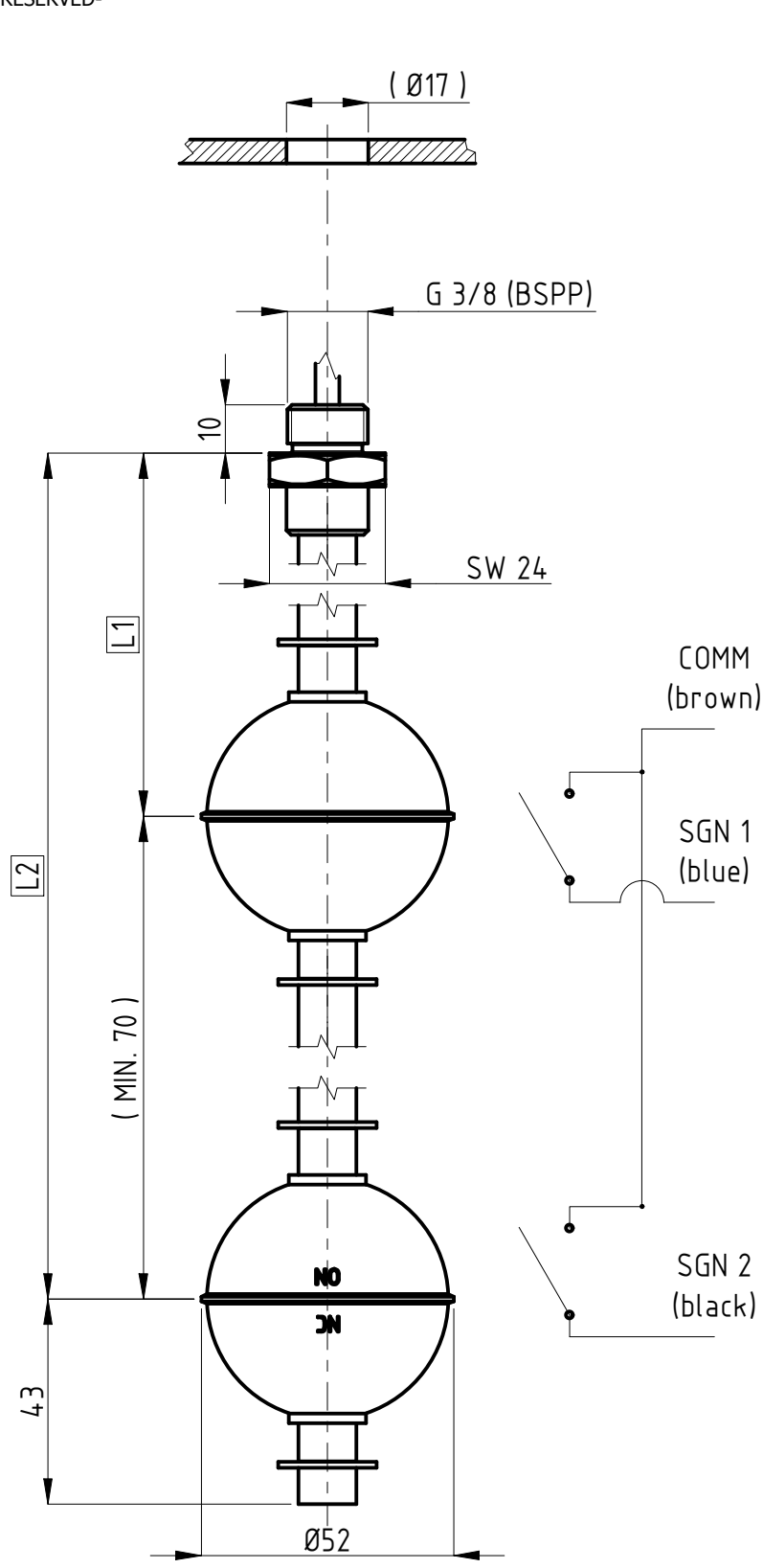
CLR20/C - 1



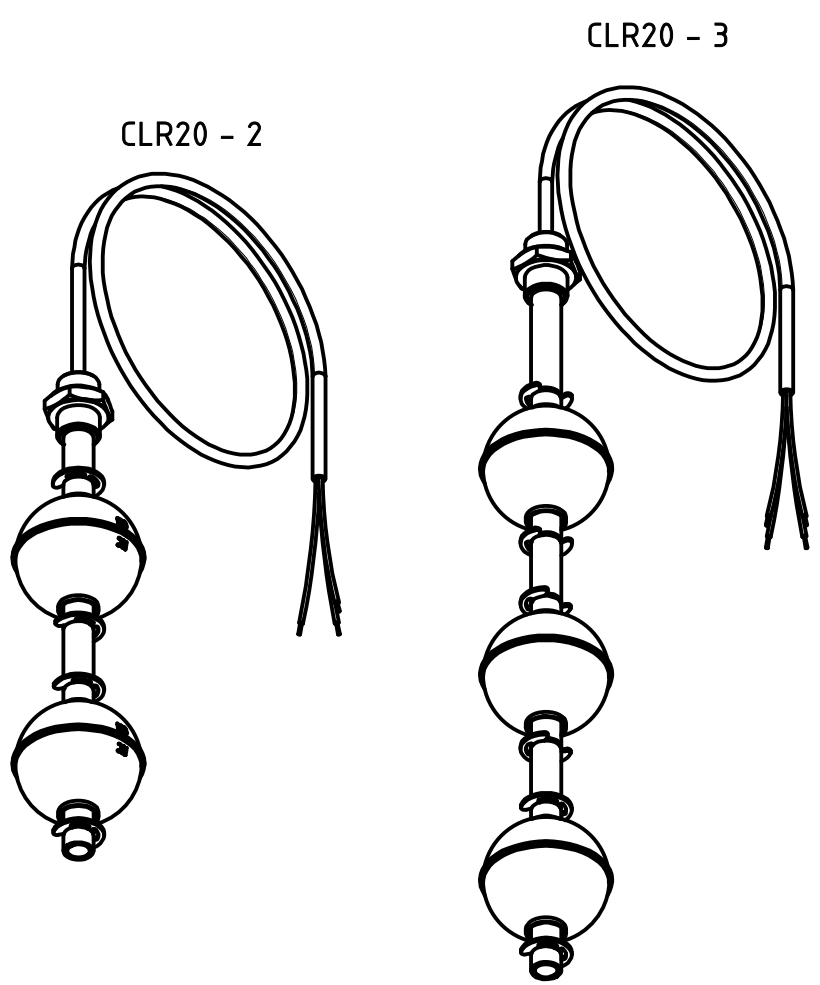
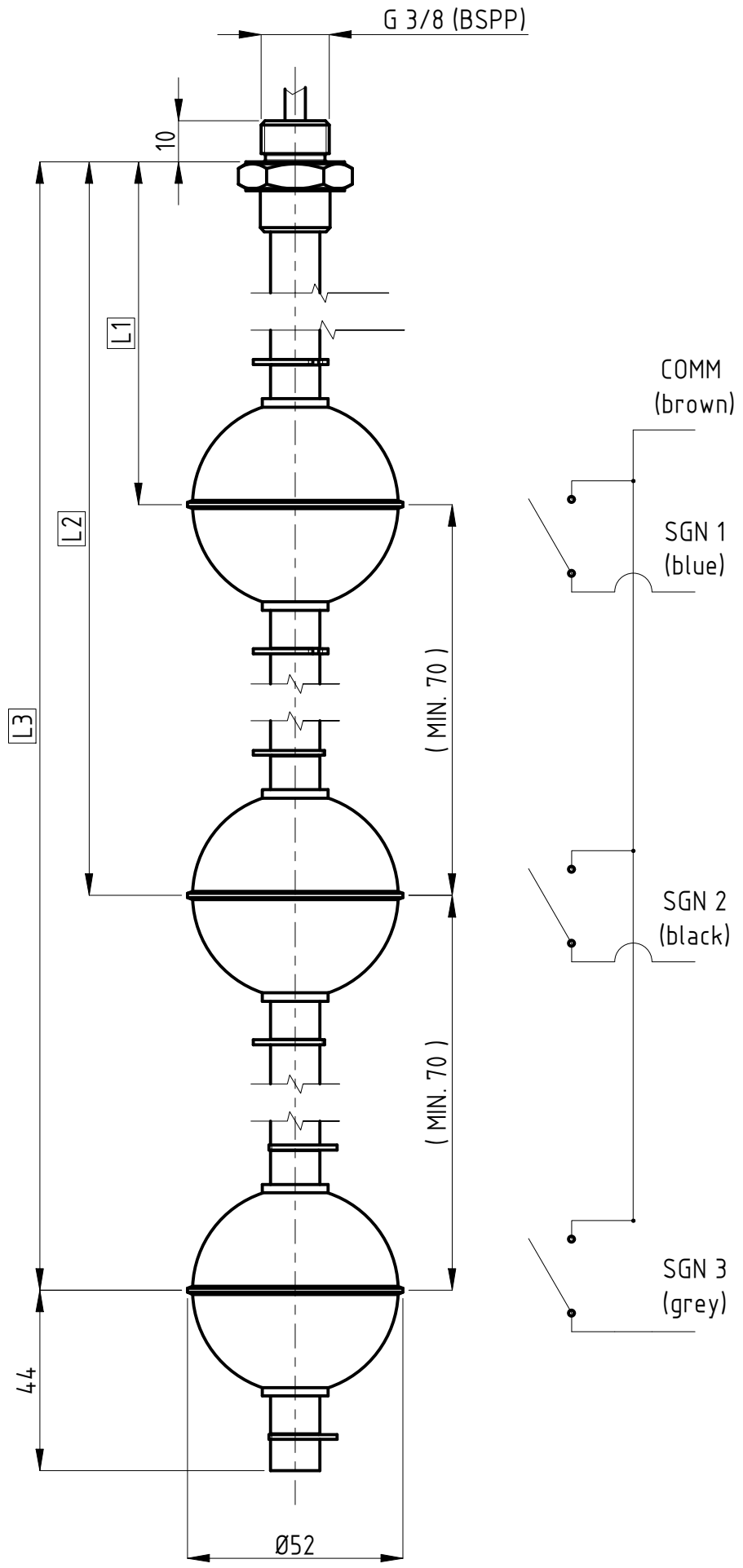
Model	CLR20/C - 1
Weight	0,1 [kg]
Power supply	not powered
Signal	SPST / max. 1,3[A]-250[V]- 80[W]
IP grade	IP67
Housing and floating	AISI 316
Connection	G 3/8 (sealing gasket and counternut included)
Cable	2x1mm ² (AWG17) - L = 600 [mm]
Ambient temperature	-10 < Ta < +70 [°C] -40 < Ta < +120 [°C] Silicon cable
Process temperature	-10 < Ta < +70 [°C] -40 < Ta < +120 [°C] Silicon cable
MAX pressure	+15 [bar]
Directives	2011/65/EU (RoHS) 2014/35/EU (LVD) 1935/2004/EU (Food compliance)

<p>® CAMLogic Via dell'Industria 12 42025 Cavriago (RE) - ITALY www.camlogic.it</p>	<p>CAMLOGIC®</p>	DRAWING N.	SHEET:
		0602_0017_00	2 OF 6
GENERAL TOL.: ISO 2768-mH	UNLESS OTHERWISE SPECIFIED DIMENSION ARE IN [mm]	DRAWING FROM CAD SYSTEM - REFER TO 3D MODEL FOR MISSING DIMENSION - NO MANUAL MODIFICATION ALLOWED	SCALE: 1:1
			DRAWN NR DATE 02.11.2021

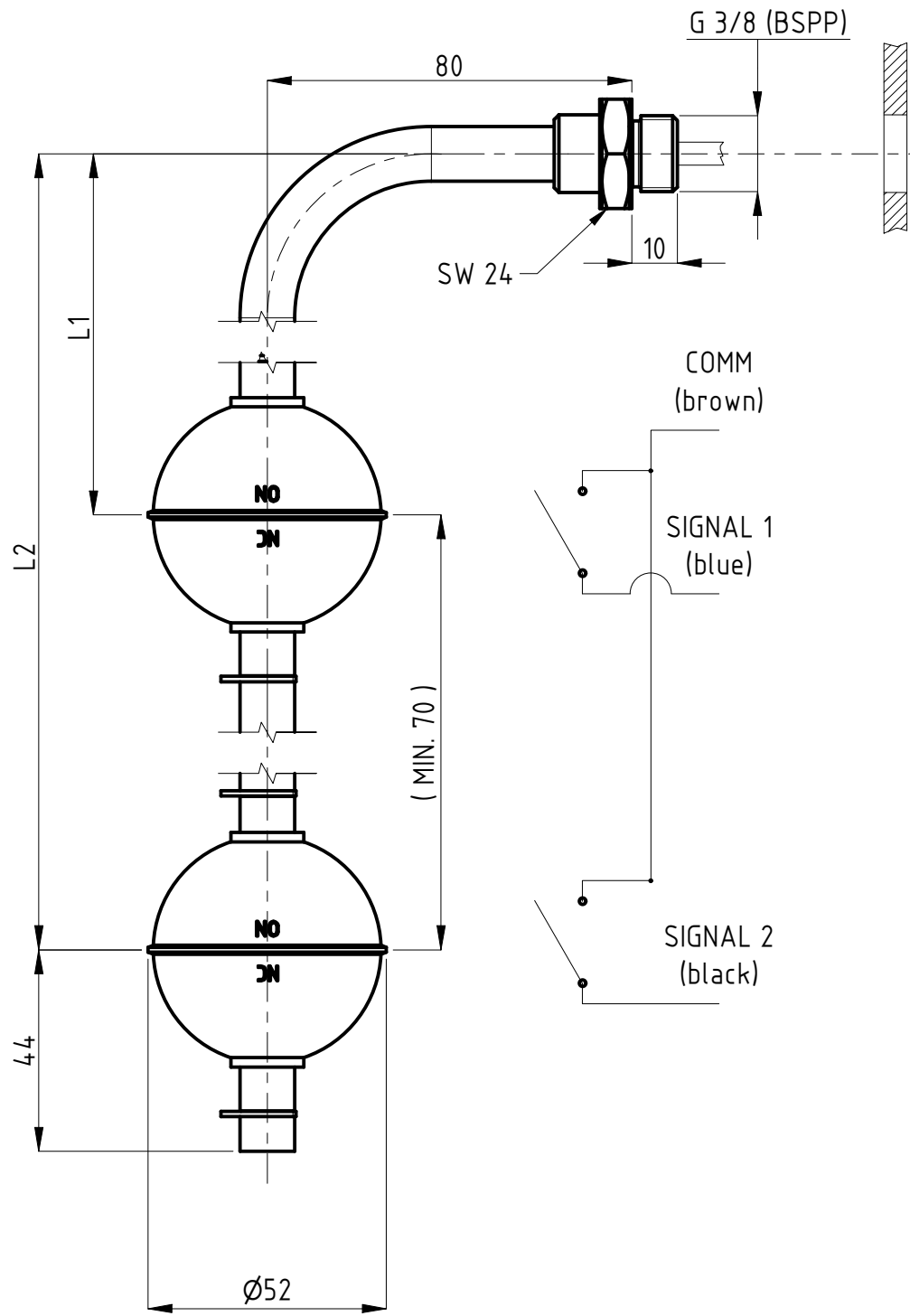
SIZE UNI A3



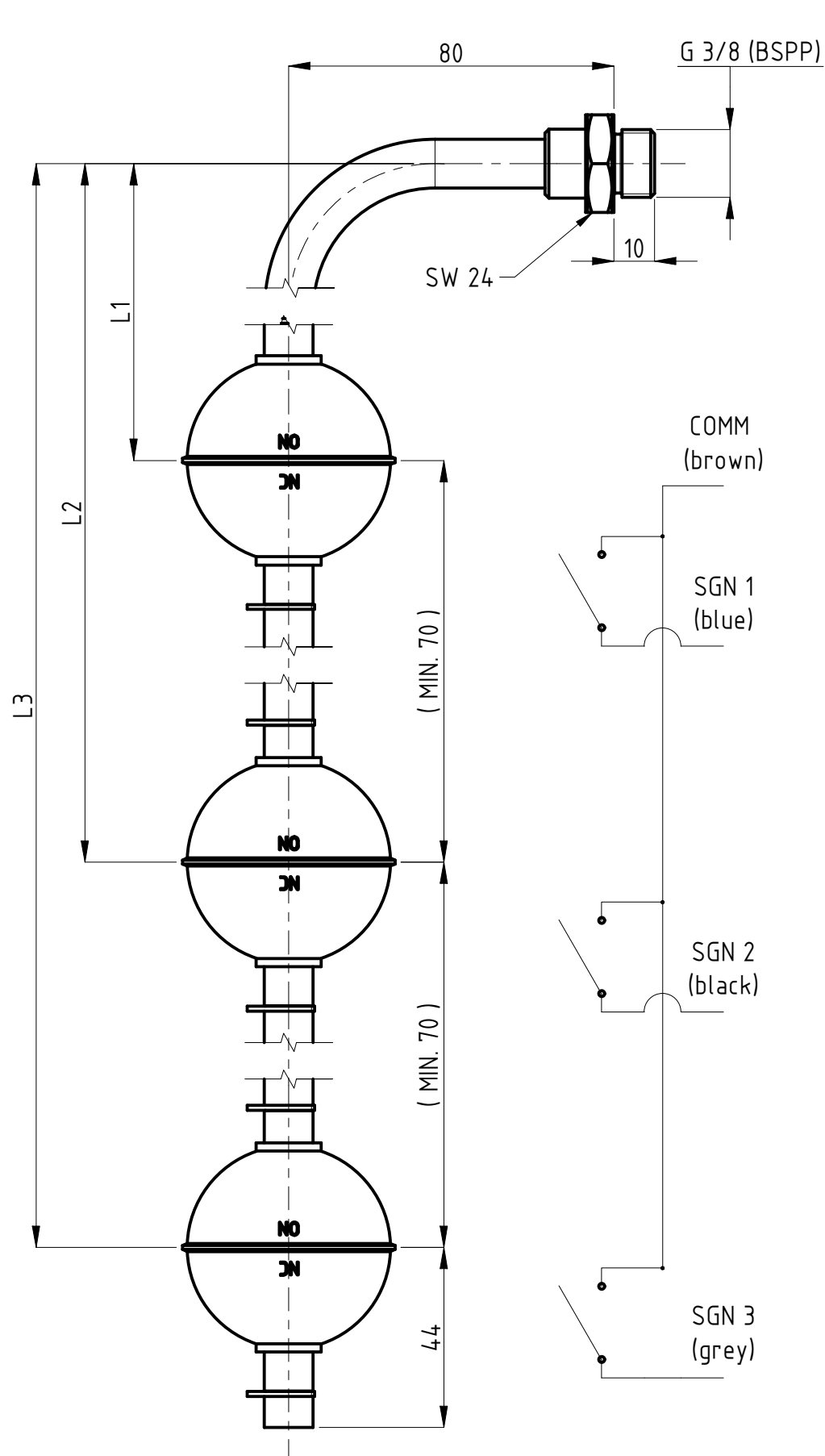
Minimum lengths:
L 1 > 50
L 2 > 130
L 3 > 200



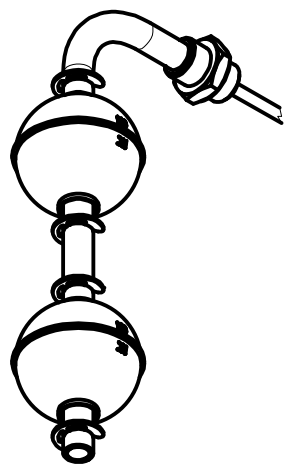
Model	CLR20 - 2 / CLR20 - 3
Weight	0,25 [kg] / 0,300 [kg]
Power supply	not powered
Signal	SPST / max. 1,3[A]-250[V]- 80[W]
IP grade	IP67
Housing and floating	AISI 316
Connection	G 3/8 (sealing gasket and counternut included)
Cable	3x0,75mm ² (AWG 3/19) - L = 600 [mm] 4x0,75mm ² (AWG 4/19) - L = 600 [mm]
Ambient temperature	-10 < Ta < +70 [°C] -40 < Ta < +120 [°C] Silicon cable
Process temperature	-10 < Tp < +70 [°C] -40 < Tp < +120 [°C] Silicon cable
MAX pressure	+15 [bar]
Directives	2011/65/EU (RoHS) 2014/35/EU (LVD) 1935/2004/EU (Food compliance)



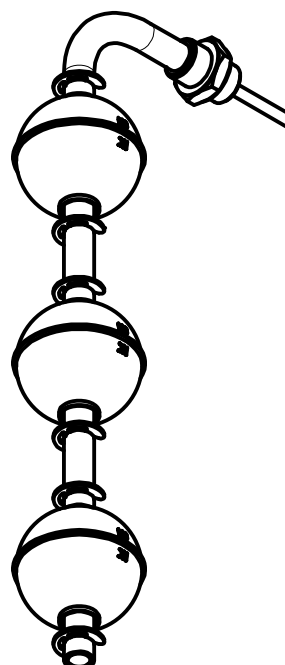
Minimum lengths:
L 1 > 77
L 2 > 150
L 3 > 220



CLR20/C - 2



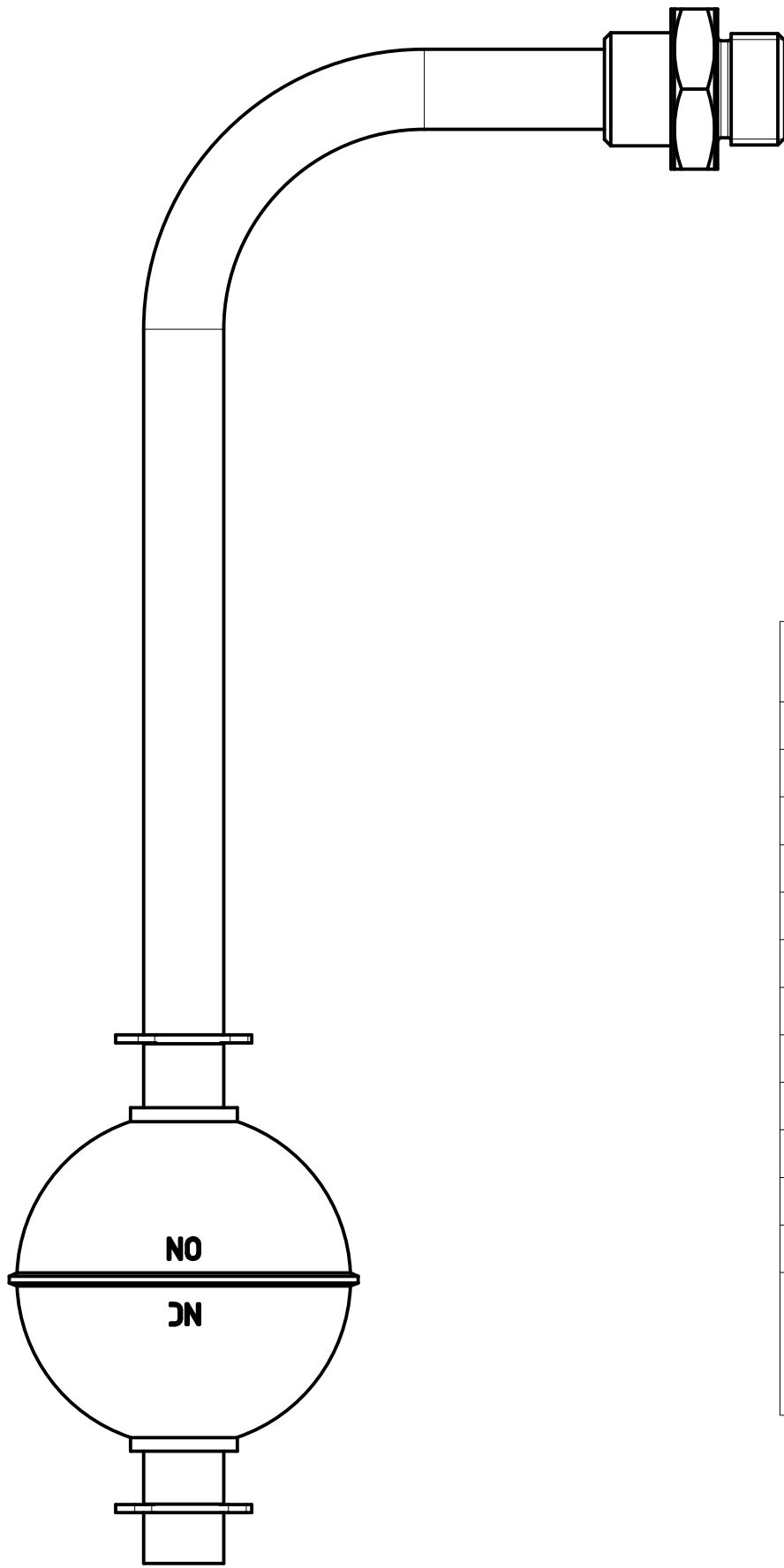
CLR20/C - 3



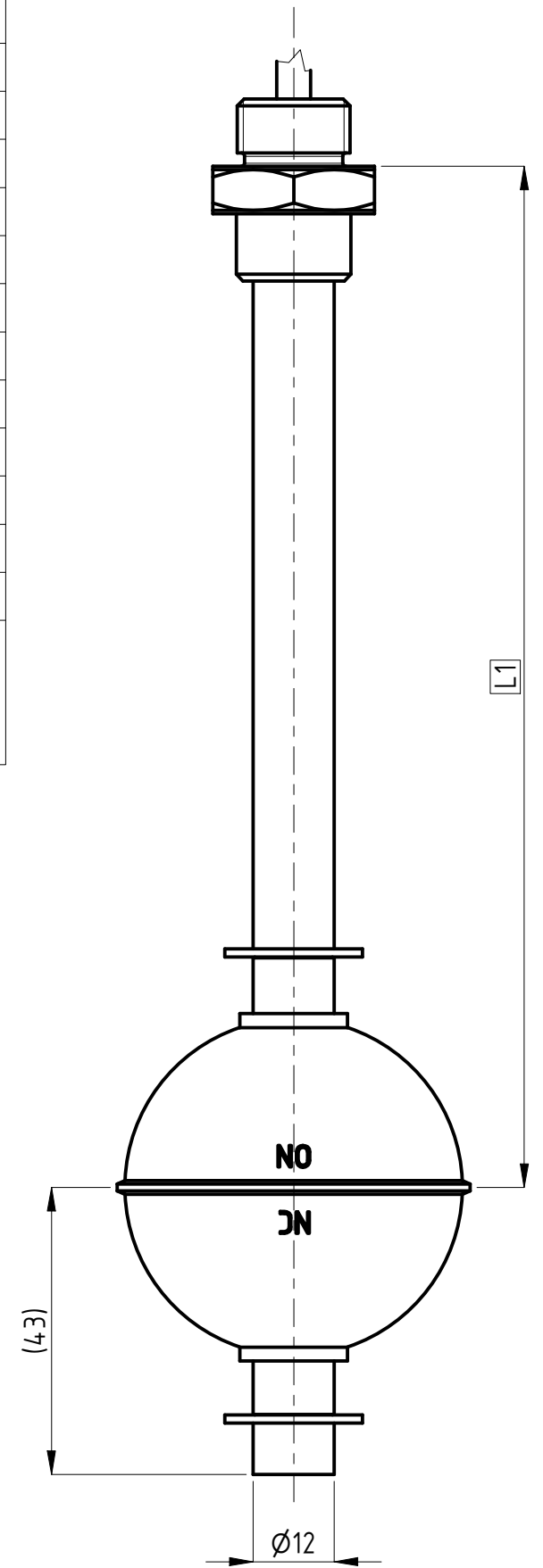
Model	CLR20/C - 2 / CLR20/C - 3
Weight	0,25 [kg] / 0,300 [kg]
Power supply	not powered
Signal	SPST / max. 1,3[A]-250[V]- 80[W]
IP grade	IP67
Housing and floating	AISI 316
Connection	G 3/8 (sealing gasket and counternut included)
Cable	3x0,75mm ² (AWG 3/19) - L = 600 [mm] 4x0,75mm ² (AWG 4/19) - L = 600 [mm]
Ambient temperature	-10 < Ta < +70 [°C] -40 < Ta < +120 [°C] Silicon cable
Process temperature	-10 < Tp < +70 [°C] -40 < Tp < +120 [°C] Silicon cable
MAX pressure	+15 [bar]
Directives	2011/65/EU (RoHS) 2014/35/EU (LVD) 1935/2004/EU (Food compliance)

<p>© CAMLogic Via dell'Industria 12 42025 Cavriago (RE) - ITALY www.camlogic.it</p>		DRAWING N.	SHEET:
		0602_0017_00	4 OF 6
GENERAL TOL.: ISO 2768-mH	UNLESS OTHERWISE SPECIFIED DIMENSION ARE IN [mm]	DRAWING FROM CAD SYSTEM - REFER TO 3D MODEL FOR MISSING DIMENSION - NO MANUAL MODIFICATION ALLOWED	REV: 2
		SCALE: 1:3	DRAWN NR DATE 02.11.2021

NOTE : lengths may slightly differ from the tables (+/- 5[mm])

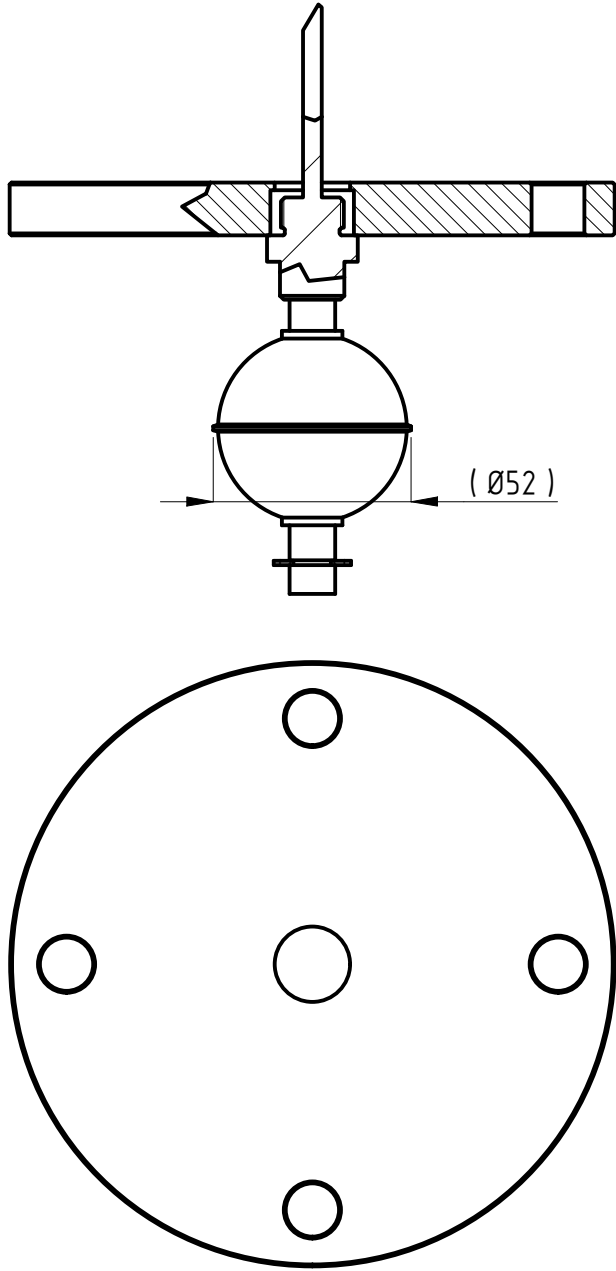


L1 / L2 / L3 [mm]
100
200
300
400
500
600
700
800
900
1000
1500
2000
other lengths available on request, up to 2m

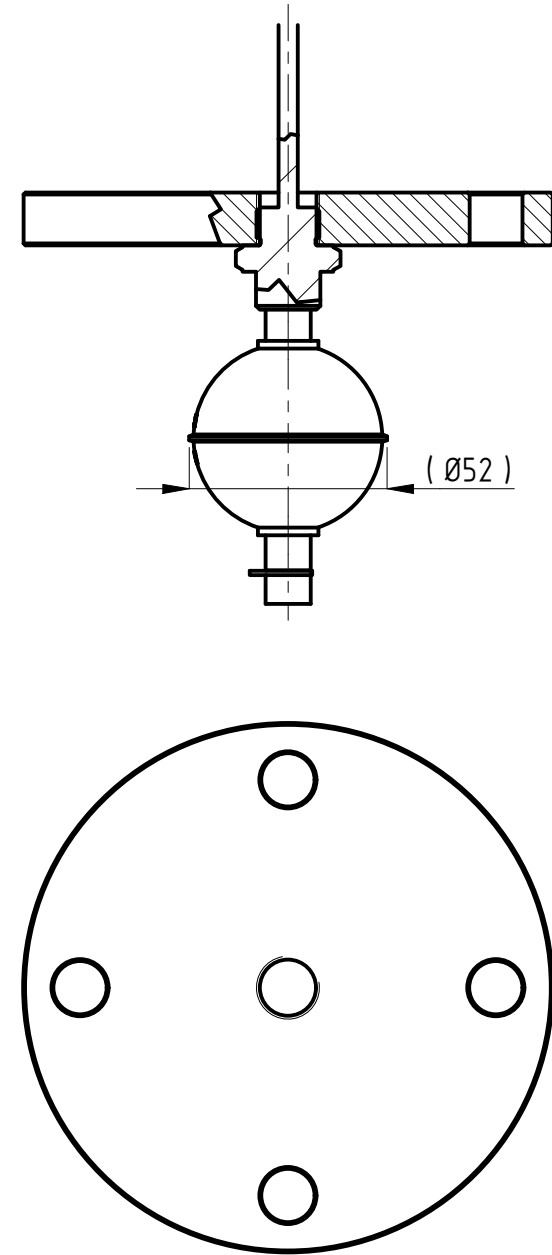


OPTIONS

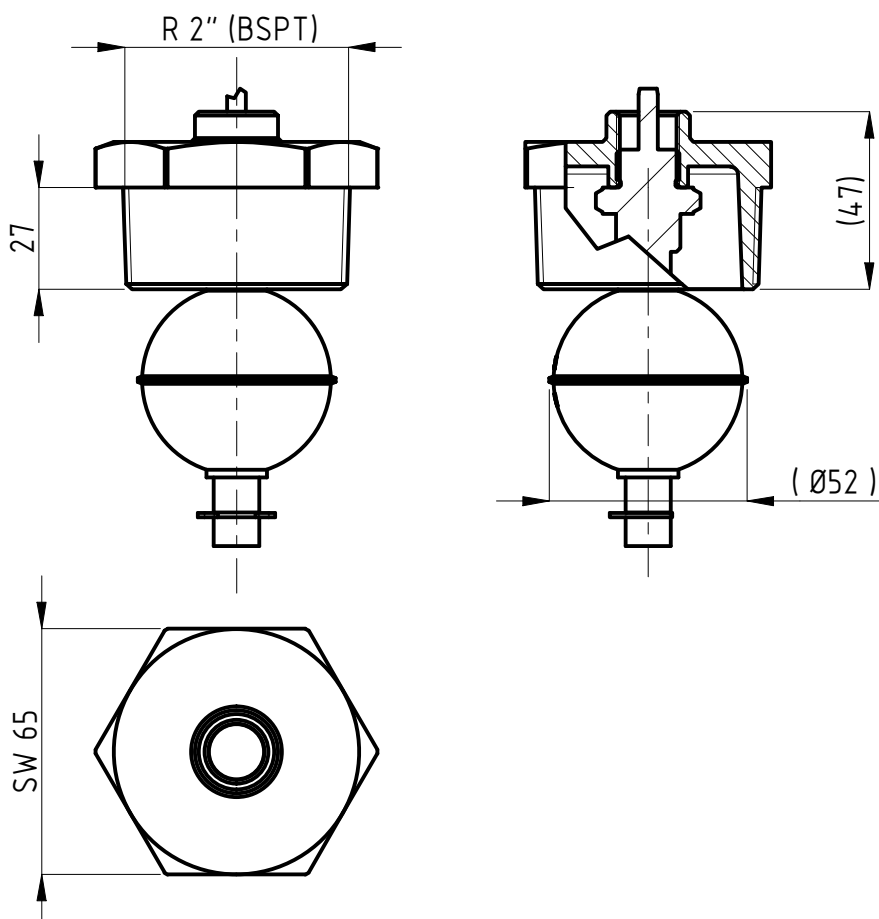
DN65 - PN6 flange



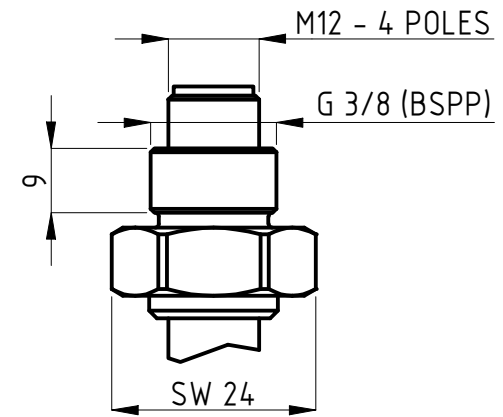
DN50 - PN6 flange



G 2" reducer



M12 Connector



1	COMM
2	SGN 1
3	SGN 2
4	SGN 3

CABLE LENGTH
Standard cable length = 600 [mm].
Other lengths are available on request, up to 10 [m]