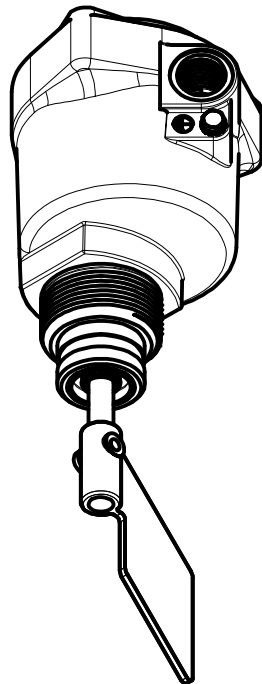


Other threads available:
NPT 1" 1/4
G 3/4 (BSPP)

AC1PLA
density > 1,0kg/dm3

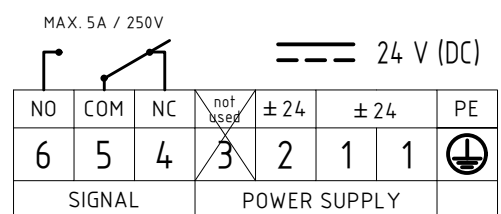
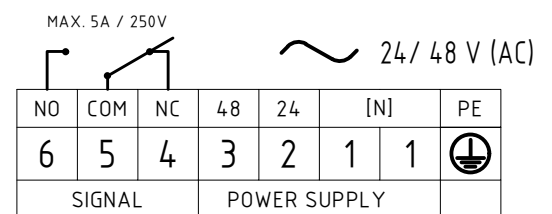
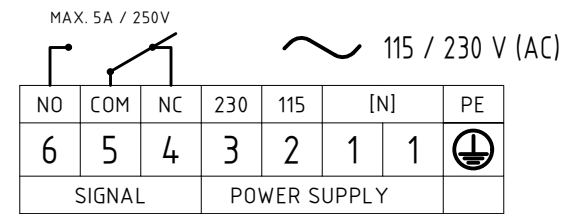
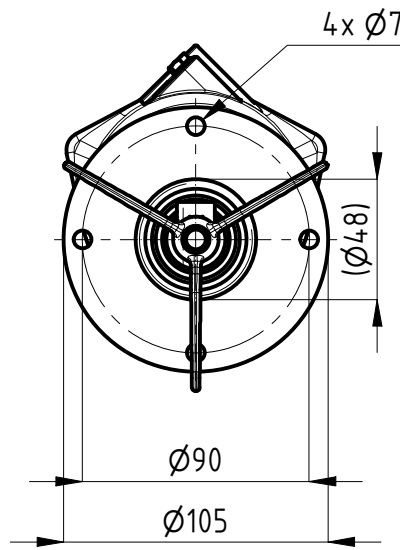
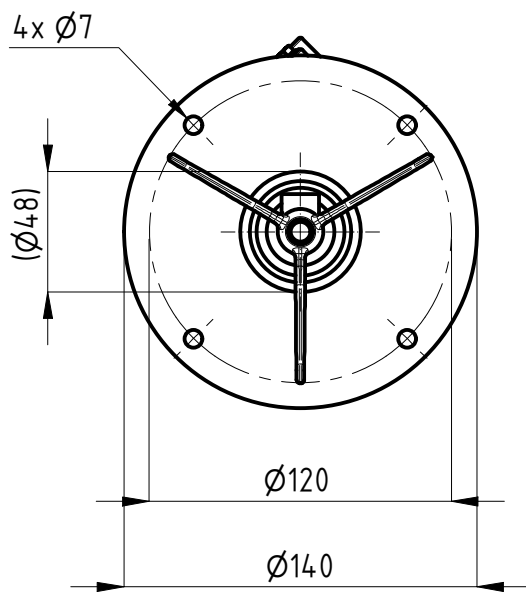
Terminals : male FASTON (.250 series / 6,3x0,8 mm)

PFG57

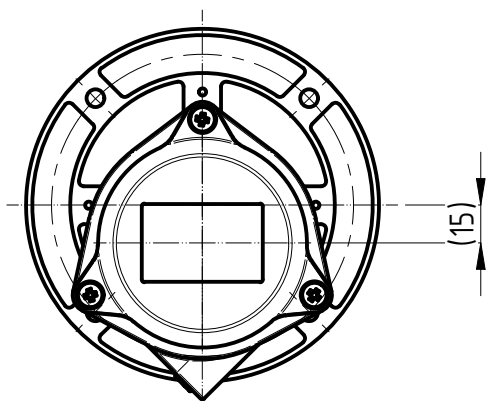
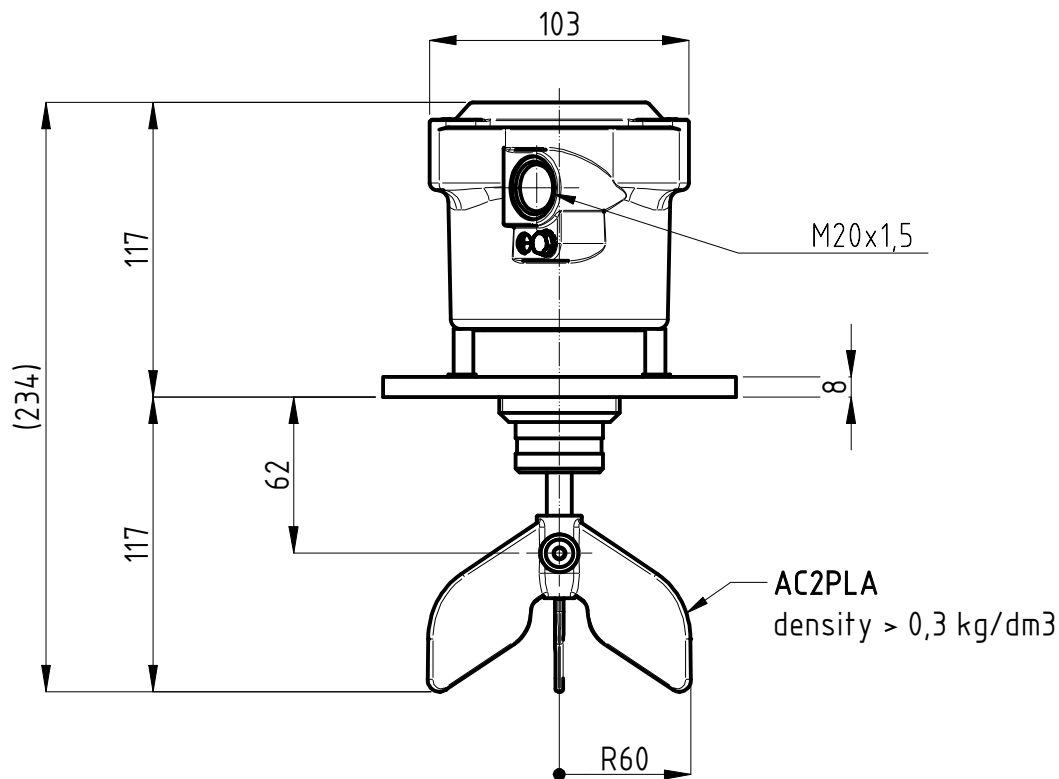


Model	PFG57
Weight	0,9 [kg]
Power supply	- Bivoltage 115/230[V] (50...60Hz) - 4[W] - Bivoltage 24/48[V] (50...60Hz) - 4[W] - DC 24[V] ±15% - 4[W]
Signal	SPDT / max. 5[A]-250VAC
IP grade	IP65
Housing	Aluminium (powder coated)
Connection	G 1" 1/2 - Aluminium
Ambient temperature	-20 < Ta < +70 [°C] -40 < Ta < +70 [°C] <i>LOW TEMPERATURE versions only (PFG.../B)</i>
Process temperature	-20 < Tp < +70 [°C] -40 < Tp < +70 [°C] <i>LOW TEMPERATURE versions only (PFG.../B)</i>
Pressure range	+0,8 ... +1,1 bar [abs] +0,8 ... +5 bar [abs] <i>(non ATEX versions)</i>
Directives	2011/65/EU (RoHS) 2014/30/EU (EMC) 2014/34/EU (ATEX) 2014/35/EU (LVD)
ATEX Marking	Ex II 1/2 D Ex ta/tb IIIC T85°C IP65 Da/Db Ex II 3 D Ex tc IIIB T85°C Dc (Lamp version)
IECEX Marking	Ex ta/tb IIIC T85°C Da/Db

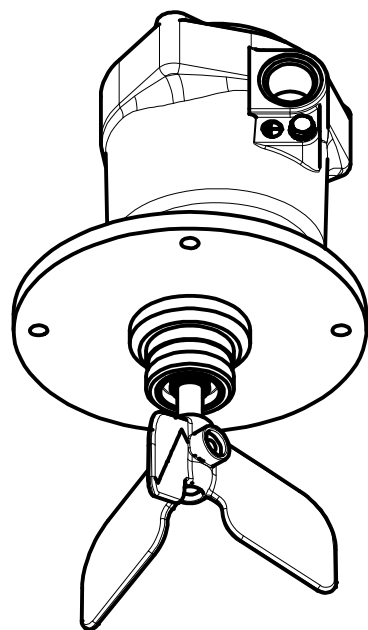
<p>® CAMLogic Via dell'Industria 12 42025 Cavriago (RE) - ITALY www.camlogic.it</p>	<p>CAMLogic®</p>	DRAWING N.	SHEET:
		0602_0006_00	1 OF 5
GENERAL TOL.: ISO 2768-mH	UNLESS OTHERWISE SPECIFIED DIMENSION ARE IN [mm]	DRAWING FROM CAD SYSTEM - REFER TO 3D MODEL FOR MISSING DIMENSION - NO MANUAL MODIFICATION ALLOWED	SCALE: 1:3
			DRAWN NR DATE 21.09.2021



Terminals : male FASTON (.250 series / 6,3x0,8 mm)



PFG57/F



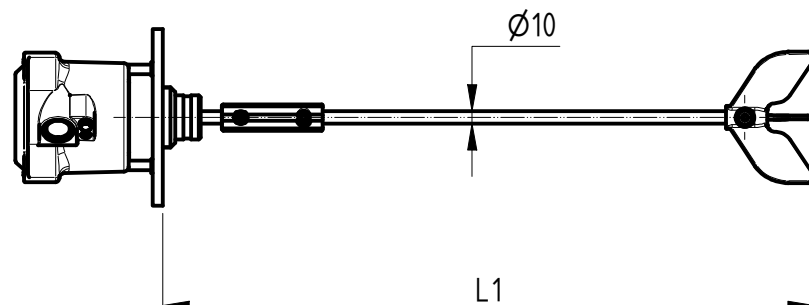
Model	PFG57/F
Weight	1,2 [kg]
Power supply	- Bivoltage 115/230[V] (50...60Hz) - 4[W] - Bivoltage 24/48[V] (50...60Hz) - 4[W] - DC 24[V] ±15% - 4[W]
Signal	SPDT / max. 5[A]-250VAC
IP grade	IP65
Housing	Aluminium (powder coated)
Connection	Flange - Aluminium
Ambient temperature	-20 < Ta < +70 [°C] -40 < Ta < +70 [°C] <i>LOW TEMPERATURE versions only (PFG.../B)</i>
Process temperature	-20 < Tp < +70 [°C] -40 < Tp < +70 [°C] <i>LOW TEMPERATURE versions only (PFG.../B)</i>
Pressure range	+0,8 ... +1,1 bar [abs] +0,8 ... +5 bar [abs] <i>(non ATEX versions)</i>
Directives	2011/65/EU (RoHS) 2014/30/EU (EMC) 2014/34/EU (ATEX) 2014/35/EU (LVD)
ATEX Marking	Ex II 1/2 D Ex ta/tb IIIC T85°C IP65 Da/Db Ex II 3 D Ex tc IIIB T85°C Dc (Lamp version)
IECEX	Ex ta/tb IIIC T85°C Da/Db

® CAMLogic Via dell'Industria 12 42025 Cavriago (RE) - ITALY www.camlogic.it	CAMLogic ® DRAWING N. 0602_0006_00	SHEET: 2 OF 5
		REV: 1
GENERAL TOL.: ISO 2768-mH	UNLESS OTHERWISE SPECIFIED DRAWING FROM CAD SYSTEM - REFER TO 3D MODEL FOR MISSING DIMENSION - NO MANUAL MODIFICATION ALLOWED	SCALE: 1:3
		DRAWN NR. DATE 21.09.2021

EXTENSIONS

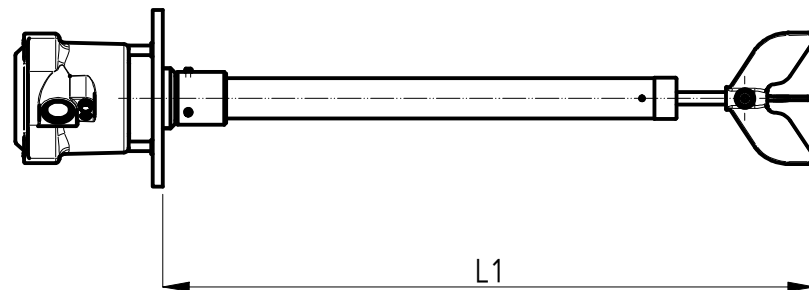
L1 [mm]

Extension w/o protection
 PSP : galvanized steel
 PSPX : stainless steel



Extension with external protection

PCP : galvanized steel
 PCPX : stainless steel



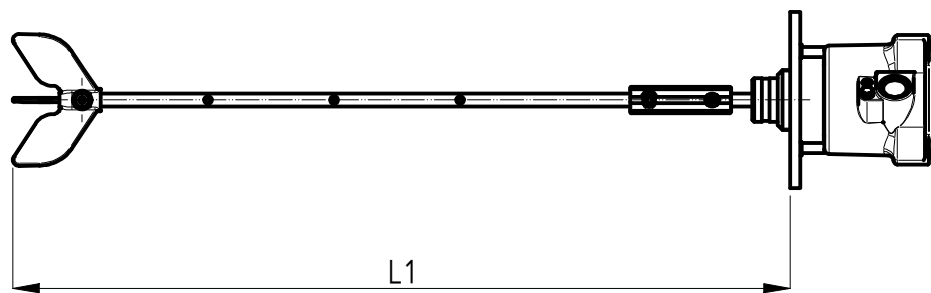
other lengths available on request, up to 3m

L1 [mm]

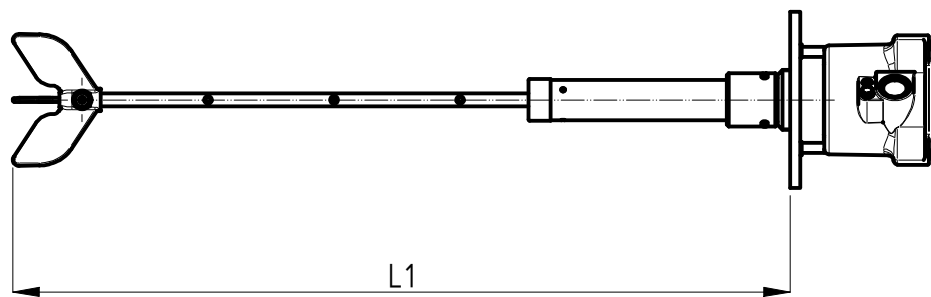
500
600
700
800
900
1100
1400
1700
1900
2400
2900
other lengths available on request, up to 3m

Adjustable extension w/o protection

PRS : galvanized steel
 PRSX : stainless steel



Extension with external protection
 PRP : galvanized steel
 PRPX : stainless steel



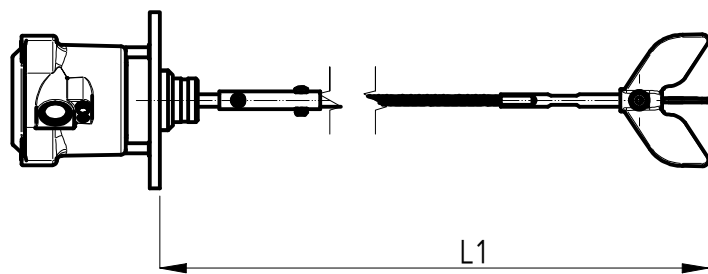
L1 [mm]

500
600
700
800
900
1000
1200
1500
2000
2500
3000
4000

L1 [mm]

5000
6000
7000
8000
9000
10000
11000
12000
other lengths available on request, up to 12m

Flexible extension
 PF : galvanized steel



NOTE : lengths may slightly differ from the tables according to the type of connection, model type and paddle chosen

CAMLogic
 Via dell'Industria 12
 42025 Cavriago (RE) - ITALY
 www.camlogic.it

CAMLogic

DRAWING N. **0602_0006_00**

SHEET: **3 OF 5**

GENERAL TOL.: ISO 2768-mH

UNLESS OTHERWISE SPECIFIED DIMENSION ARE IN [mm]

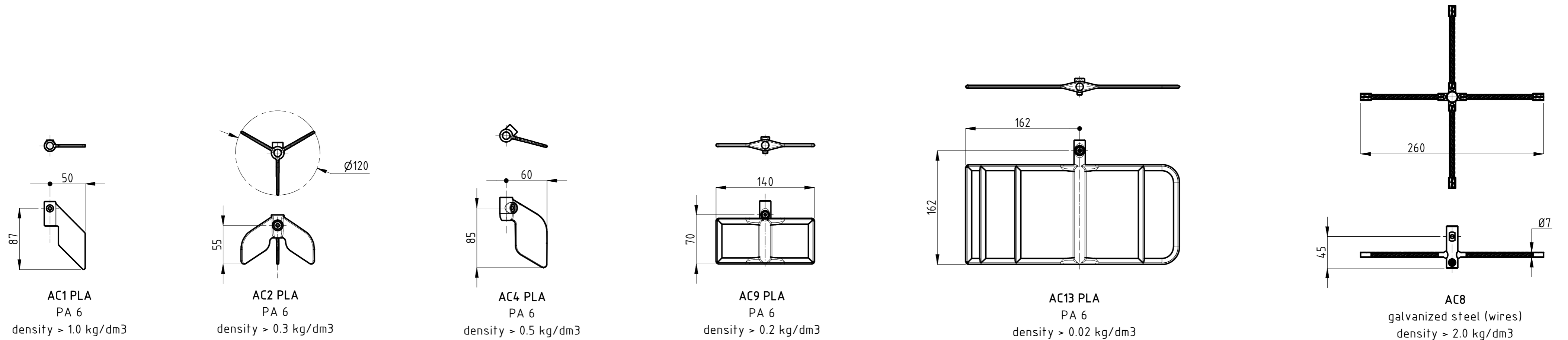
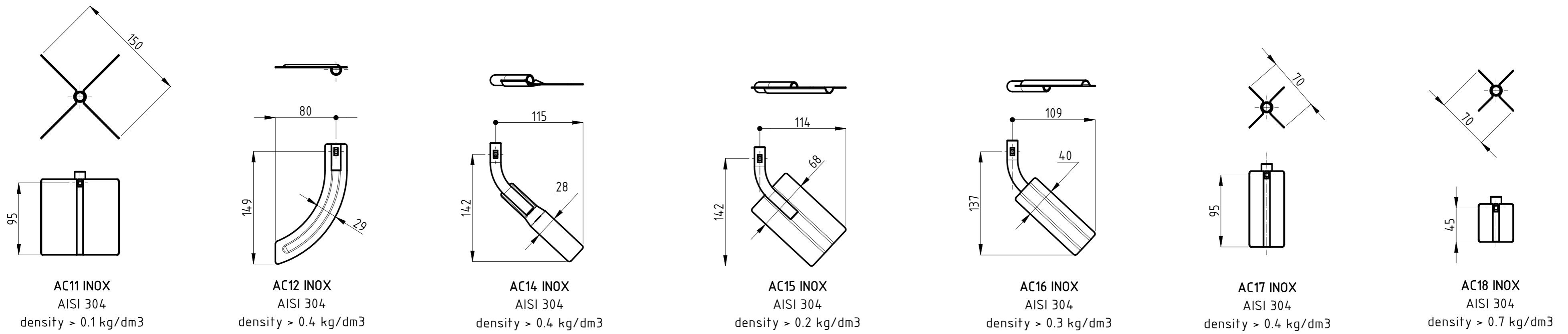
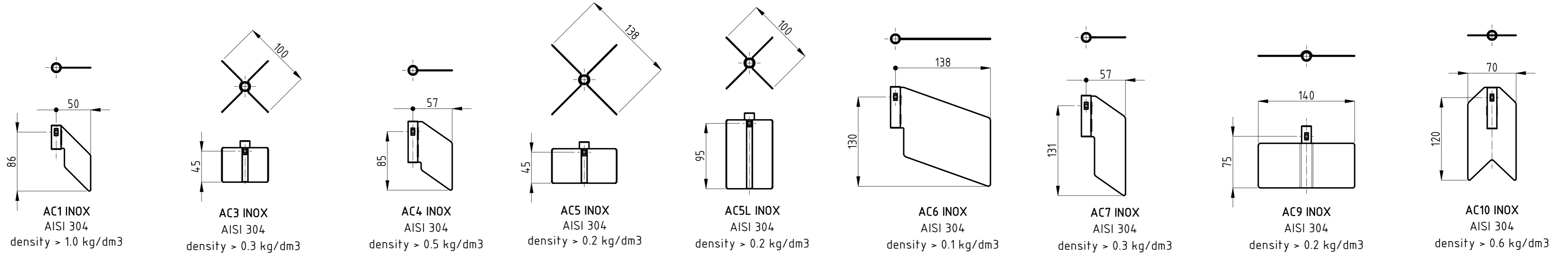
DRAWING FROM CAD SYSTEM - REFER TO 3D MODEL FOR MISSING DIMENSION - NO MANUAL MODIFICATION ALLOWED

SCALE: **1:6**

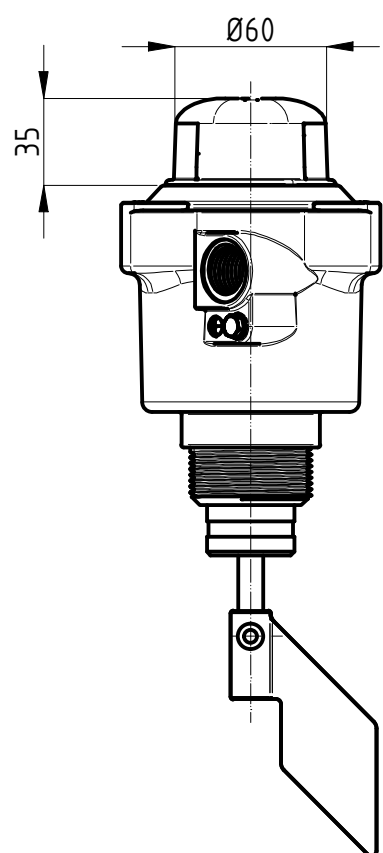
DRAWN NR DATE 30.09.2021

SIZE UNI A3

PADDLES



OPTIONS



SIGNAL LAMP (PFG57.../L)

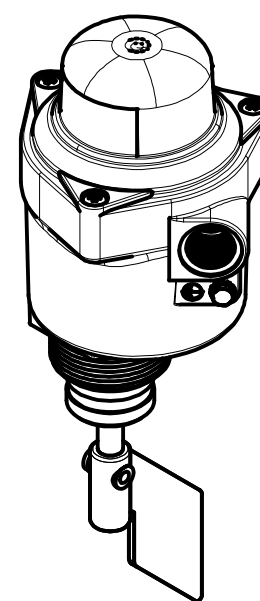
Adds a LED lamp on top. The lamp could be connected to NC contact (MIN level - empty), or NO contact (MAX level - full).

Must define a single power supply voltage: 24[V]
48[V]
115[V]
230[V]

NOTE

Model with lamp can be installed only in ATEX zone 22
Marking: Ex II 3 D Ex tc IIIB T85°C Dc

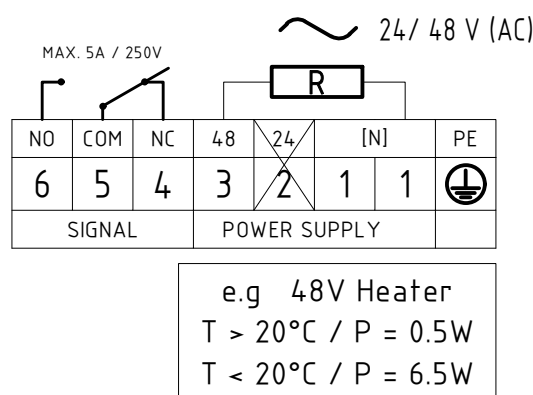
PFG57/L



LOW TEMPERATURE (PFG57.../B)

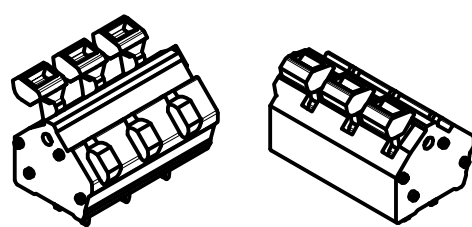
Extends the range of use of the indicator down to a minimum temperature of -40 °C
Intelligent automatic operation: when the temperature exceeds + 20 °C it stops heating (heating OFF), it is reactivated when the temperature falls again below + 20 °C (heating ON)

Must define a single power supply voltage: 24[V]
48[V]
115[V]
230[V]



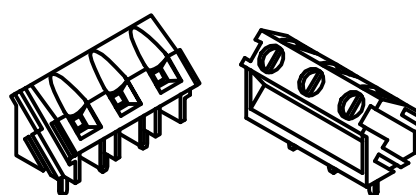
SPRING TERMINAL BLOCK

Terminals with spring terminal design.
No tool needed for wires connection.
0,13 - 2,5mm² (AWG26 - AWG14)



SCREW TERMINAL BLOCK

Terminals with screw terminal design (flat head)
0,05 - 2,5mm² (AWG30 - AWG12)



4rpm GEARMOTOR

Increase paddle speed (4 rpm) to reduce product detection delay time (response time ~ 1,5s)