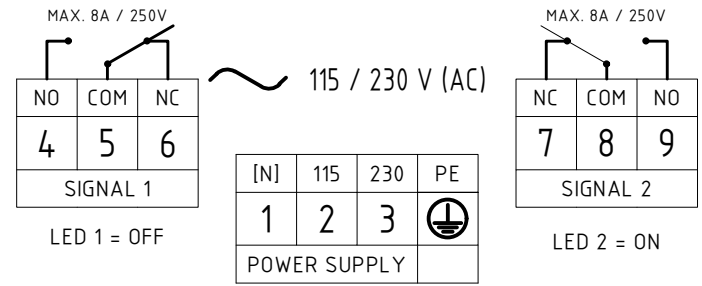
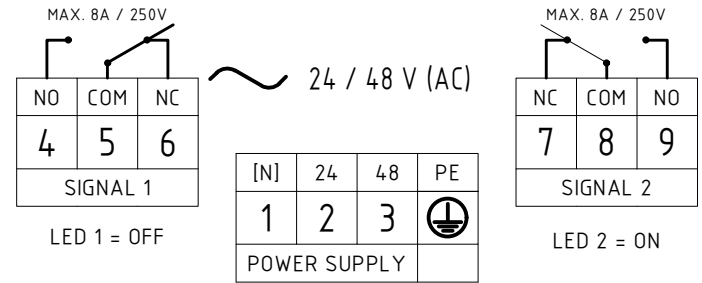


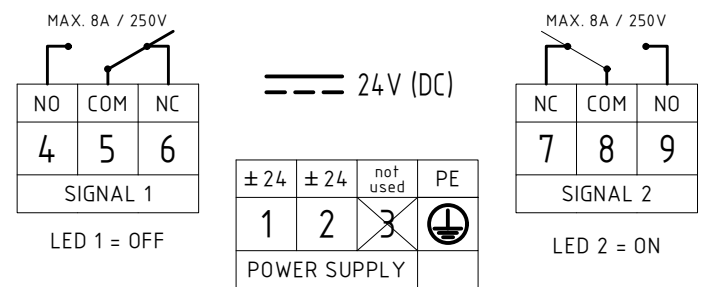
PFG06



CONTACT POSITIONS WHEN ENERGIZED AND MATERIAL NOT PRESENT



CONTACT POSITIONS WHEN ENERGIZED AND MATERIAL NOT PRESENT

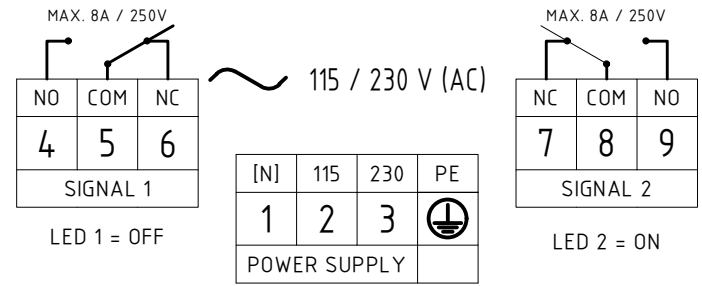
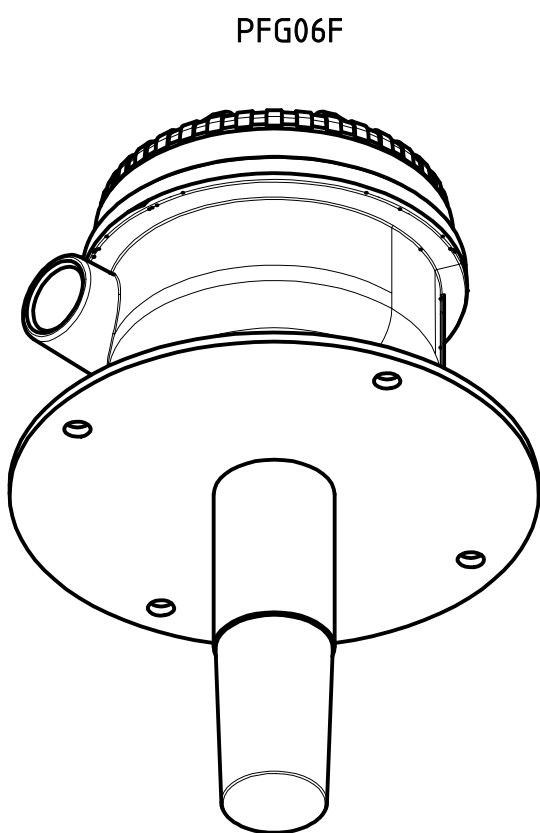
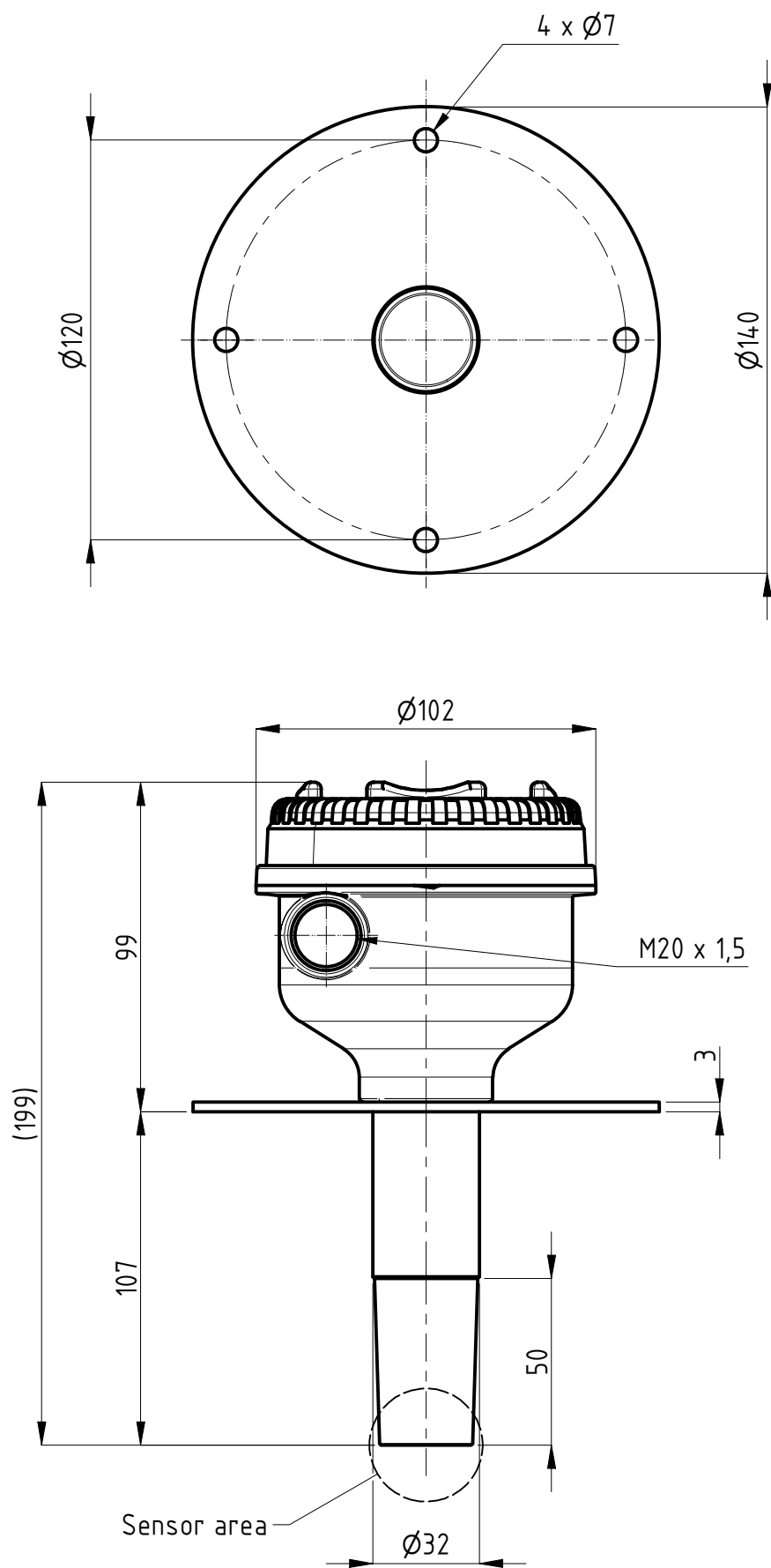


CONTACT POSITIONS WHEN ENERGIZED AND MATERIAL NOT PRESENT

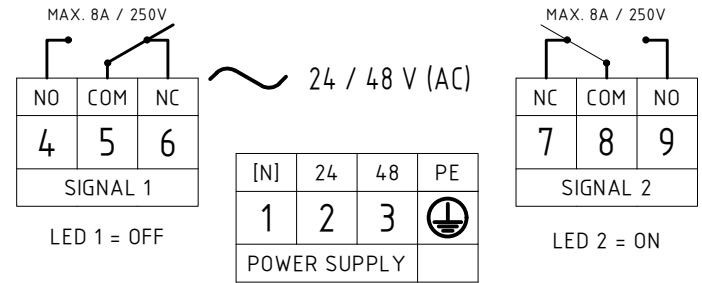
Terminals : male FASTON (.250 series / 6,3x0,8 mm)

Model	PFG06		
Weight	0,8 [kg]		
Power supply	- Bivoltage 115/230[V] (50...60Hz) - 1[W] - Bivoltage 24/48[V] (50...60Hz) - 1[W] - DC 24[V] ±15% - 1[W]		
Intervention range	0 - 50 [mm]		
Signal	DPDT / max. 8[A]-250VAC		
IP grade	IP65		
Housing	Polyamide (reinforced)		
Connection	R 1" 1/2 - AISI304		
Ambient temperature	-20 < Ta < +70 [°C]		
Process temperature	-20 < Tp < +70 [°C]		
Pressure range	+0,8 ... +1,1 bar [abs]		
Directives	2011/65/EU (RoHS) 2014/30/EU (EMC) 2014/34/EU (ATEX) 2014/35/EU (LVD) 1935/2004/EU (Food Compliance)		
Ex Marking	Ex II 1/2 D Ex ta/tb IIIC T90°C Da/Db		
© CAMLogic Via dell'Industria 12 42025 Cavriago (RE) - ITALY www.camlogic.it			DRAWING N. 0602_009_0
			SHEET: 1 OF 5
GENERAL TOL.: ISO 2768-mH	UNLESS OTHERWISE SPECIFIED DIMENSION ARE IN [mm]	DRAWING FROM CAD SYSTEM - REFER TO 3D MODEL FOR MISSING DIMENSION - NO MANUAL MODIFICATION ALLOWED	SCALE: 1:2
			DRAWN NR DATE 21.09.2021

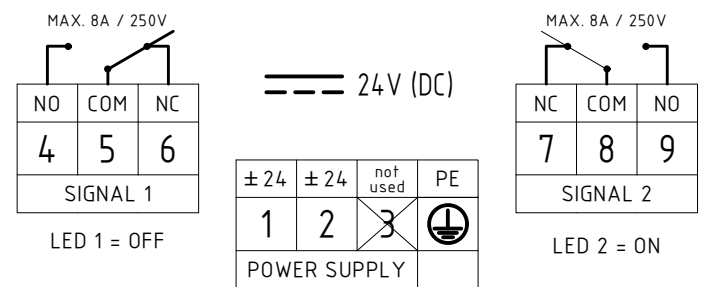
SIZE UNI A3



CONTACT POSITIONS WHEN ENERGIZED AND MATERIAL NOT PRESENT



CONTACT POSITIONS WHEN ENERGIZED AND MATERIAL NOT PRESENT

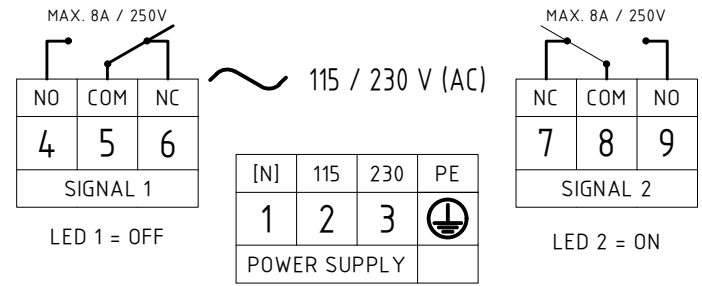
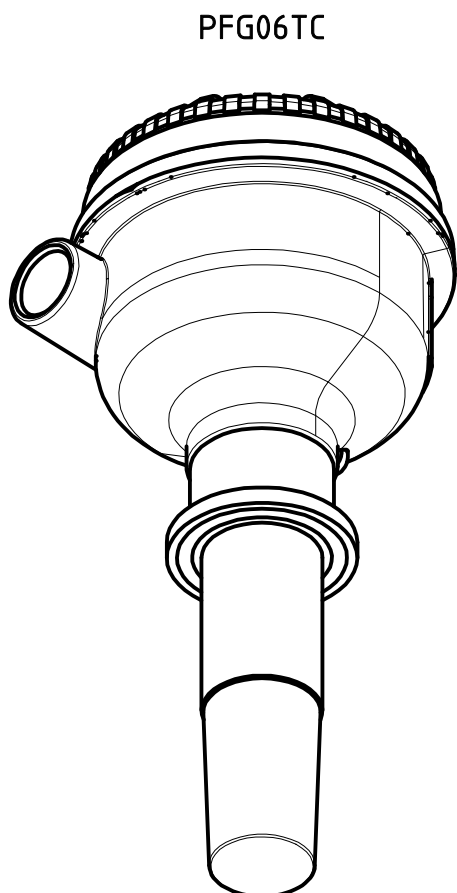
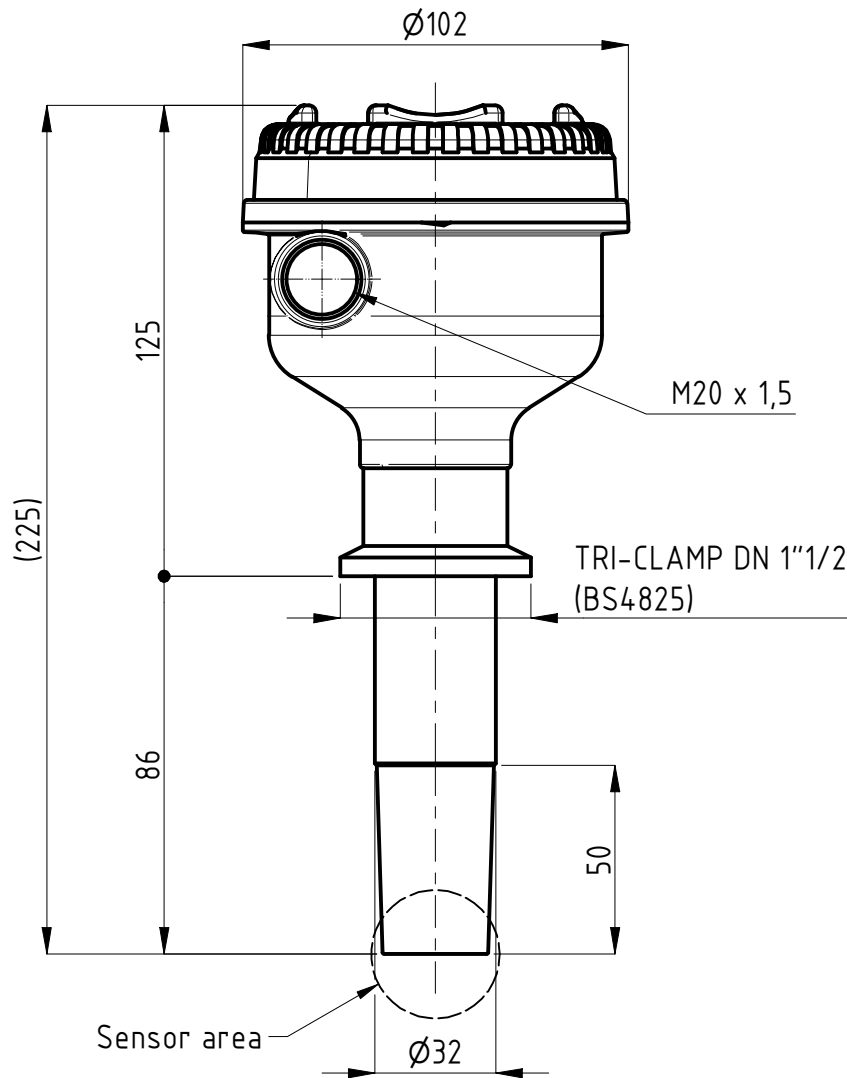
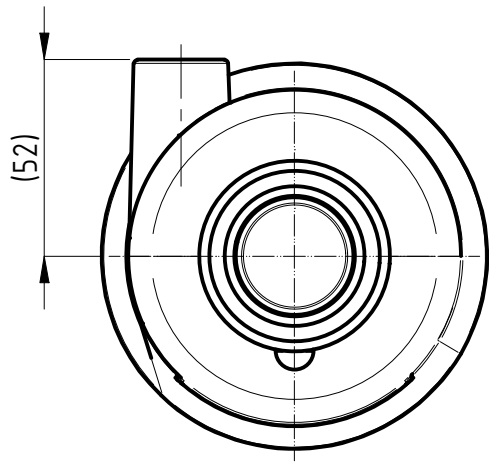


CONTACT POSITIONS WHEN ENERGIZED AND MATERIAL NOT PRESENT

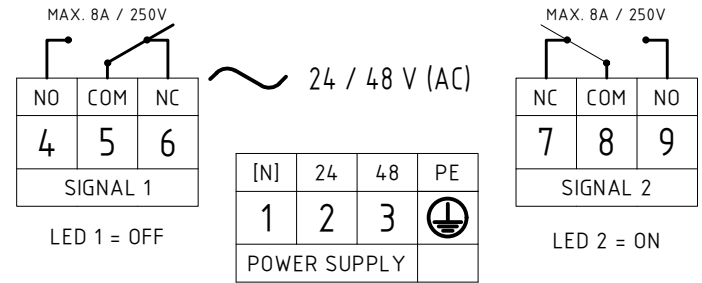
Terminals : male FASTON (.250 series / 6,3x0,8 mm)

Model	PFG06F
Weight	0,8 [kg]
Power supply	- Bivoltage 115/230[V] (50...60Hz) - 1[W] - Bivoltage 24/48[V] (50...60Hz) - 1[W] - DC 24[V] ±15% - 1[W]
Intervention range	0 - 50 [mm]
Signal	DPDT / max. 8[A]-250VAC
IP grade	IP65
Housing	Polyamide (reinforced)
Connection	Flange - AISI304
Ambient temperature	-20 < Ta < +70 [°C]
Process temperature	-20 < Tp < +70 [°C]
Pressure range	+0,8 ... +1,1 bar [abs]
Directives	2011/65/EU (RoHS) 2014/30/EU (EMC) 2014/34/EU (ATEX) 2014/35/EU (LVD) 1935/2004/EU (Food Compliance)
Ex Marking	Ex II 1/2 D Ex ta/tb IIIC T90°C Da/Db

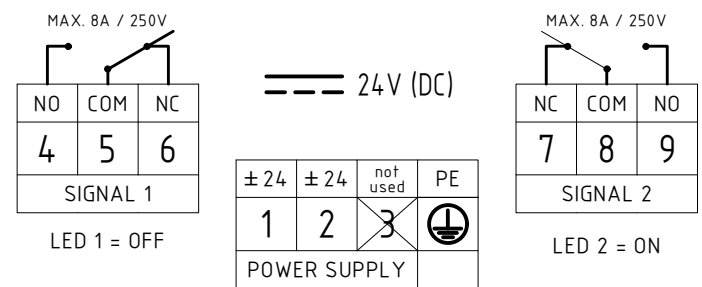
<p>© CAMLogic Via dell'Industria 12 42025 Cavriago (RE) - ITALY www.camlogic.it</p>	<p>CAMLogic®</p>	DRAWING N.	SHEET:
		0602_009_0	2 OF 5
GENERAL TOL.: ISO 2768-mH	UNLESS OTHERWISE SPECIFIED DIMENSION ARE IN [mm]	DRAWING FROM CAD SYSTEM - REFER TO 3D MODEL FOR MISSING DIMENSION - NO MANUAL MODIFICATION ALLOWED	SCALE: 1:2
			DRAWN NR DATE 21.09.2021



CONTACT POSITIONS WHEN ENERGIZED AND MATERIAL NOT PRESENT



CONTACT POSITIONS WHEN ENERGIZED AND MATERIAL NOT PRESENT



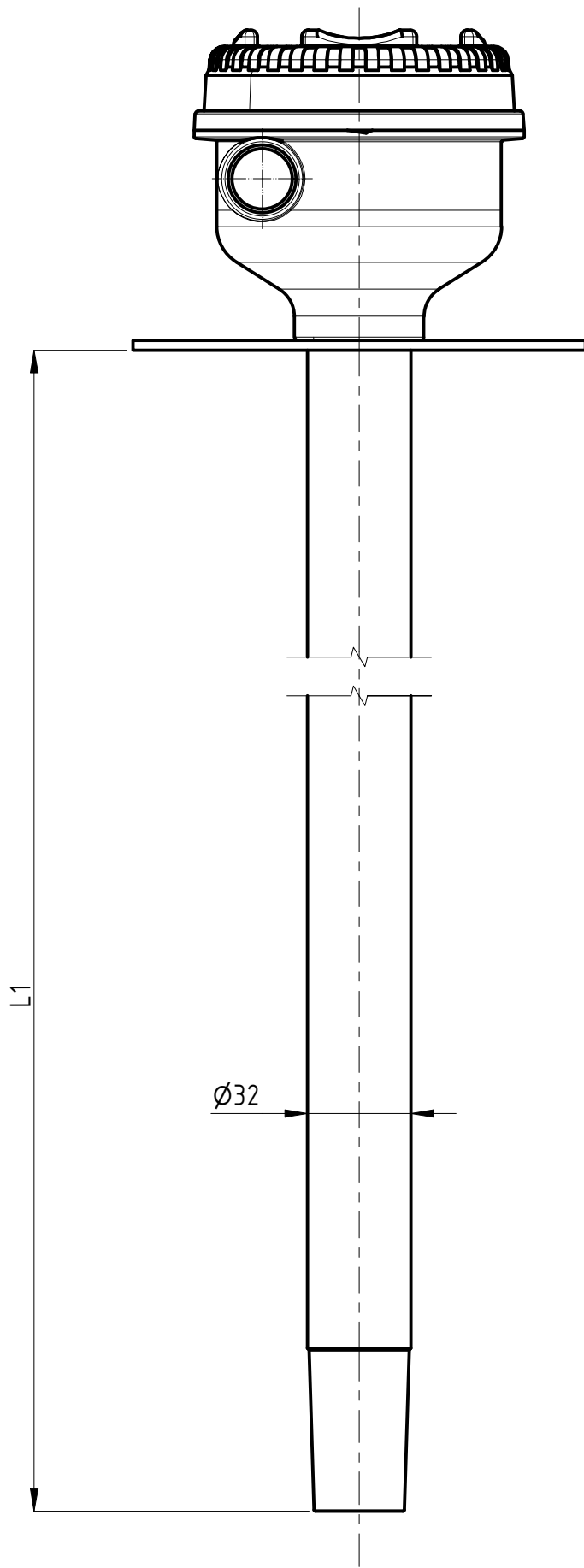
CONTACT POSITIONS WHEN ENERGIZED AND MATERIAL NOT PRESENT

Terminals : male FASTON (.250 series / 6,3x0,8 mm)

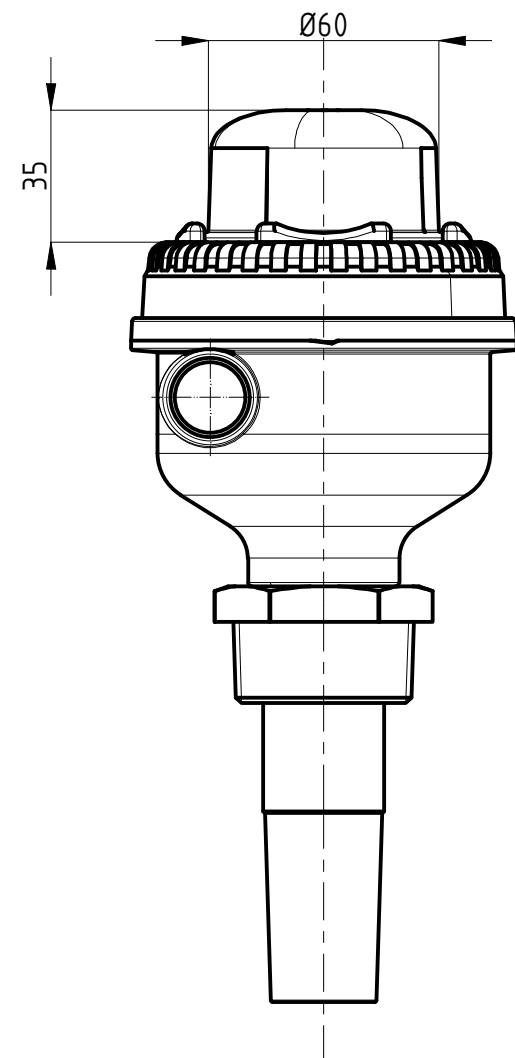
Model	PFG06TC		
Weight	0,8 [kg]		
Power supply	- Bivoltage 115/230[V] (50...60Hz) - 1[W] - Bivoltage 24/48[V] (50...60Hz) - 1[W] - DC 24[V] ±15% - 1[W]		
Intervention range	0 - 50 [mm]		
Signal	DPDT / max. 8[A]-250VAC		
IP grade	IP65		
Housing	Polyamide (reinforced)		
Connection	TRICLAMP 1 1/2 - AISI304		
Ambient temperature	-20 < Ta < +70 [°C]		
Process temperature	-20 < Tp < +70 [°C]		
Pressure range	+0,8 ... +1,1 bar [abs]		
Directives	2011/65/EU (RoHS) 2014/30/EU (EMC) 2014/34/EU (ATEX) 2014/35/EU (LVD) 1935/2004/EU (Food Compliance)		
Ex Marking	Ex II 1/2 D Ex ta/tb IIIC T90°C Da/Db		
® CAMLogic Via dell'Industria 12 42025 Cavriago (RE) - ITALY www.camlogic.it			DRAWING N. 0602_009_0
			SHEET: 3 OF 5
GENERAL TOL.: ISO 2768-mH	UNLESS OTHERWISE SPECIFIED DIMENSION ARE IN [mm]	DRAWING FROM CAD SYSTEM - REFER TO 3D MODEL FOR MISSING DIMENSION - NO MANUAL MODIFICATION ALLOWED	SCALE: 1:2
			DRAWN NR DATE 21.09.2021

SIZE UNI A3

Extension with external protection
(stainless steel)



L1 [mm]
150
200
250
300
350
400
450
500
550
600
other lengths available on request, up to 2m



SIGNAL LAMP (PFG06../L)

Adds a LED lamp on top. The lamp could be connected to NC contact (MIN level - empty), or NO contact (MAX level - full).

Must define a single power supply voltage:

- 24[V]
- 48[V]
- 115[V]
- 230[V]