

## LEVEL INDICATOR

# MN21

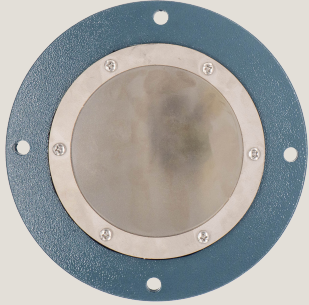
Product Line: **Pressure**



Solids



Food products



Level sensor activated through the pressure exerted by the material on the membrane.  
Durable construction with aluminum casing.

### ADVANTAGES

- An **EASY TO INSTALL** instrument that does not require any calibration, maintenance or specific tool for its installation.
- **ADAPTABLE** to any material, thanks to the adjustable sensitivity.
- Extremely **VERSATILE**, it can be installed in a vertical, horizontal or oblique position.



IECEx - ATEX  
DUST ZONE 20/21

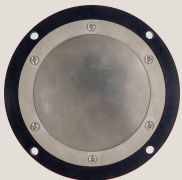


European Union  
Conformity



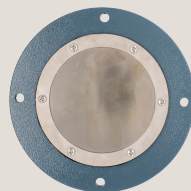
United Kingdom  
Conformity

### AVAILABLE VERSIONS



#### MN21F

Version with  
a smaller flange



#### MN21T

Version for the control  
of overpressure



# LEVEL INDICATOR MN21

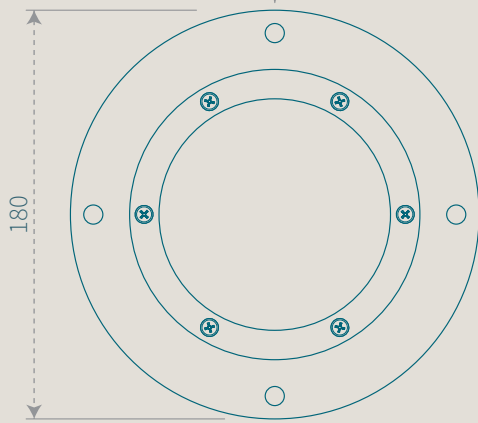
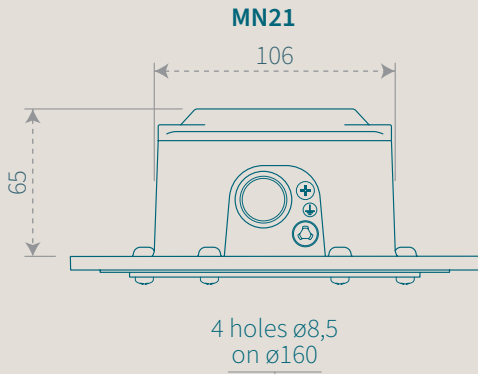


Solids



Food products

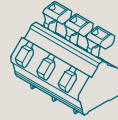
Product Line: **Pressure**



## Customizations



Faston terminals  
(standard)



Screw terminal blocks



M12  
Circular connector



Lamp

