



## LEVEL INDICATOR

# CLR20

Product Line: **Floating**

Float level indicators entirely made in stainless steel.

The permanent magnet and the frictionless switch contacts make it a durable and reliable instrument, easy to install.



Liquids



Food product



Corrosives

### ADVANTAGES

- **SIMPLE**, it does not require any calibration, maintenance or specific tool for its installation.
- **AUTONOMOUS**, it does not require an external power supply.
- **COMPACT**, allows for a small footprint installation.
- **VERSATILE**, it can be installed inside a tank in a vertical position (on the ceiling or at the bottom) or laterally (curved version). It is suitable for any liquid, even in the presence of foam.
- **DURABLE** and **RELIABLE** with body and float in stainless steel AISI 316.

**CE** European Union  
Conformity

**UK  
CA** United Kingdom  
Conformity

## AVAILABLE VERSIONS



### CLR22

Version with a G 1/8  
connection to process  
and a smaller float

# LEVEL INDICATOR CLR20

Product Line: **Floating**



Liquids

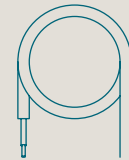
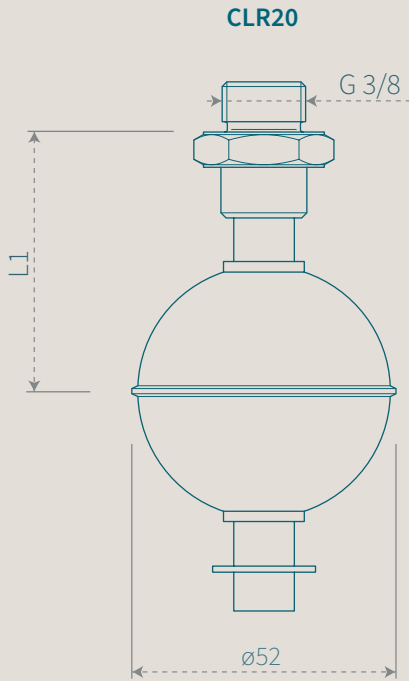


Food product

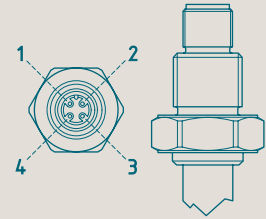


Corrosives

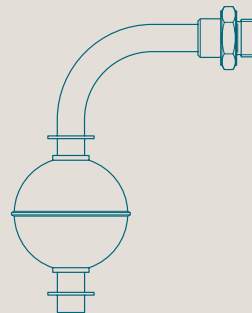
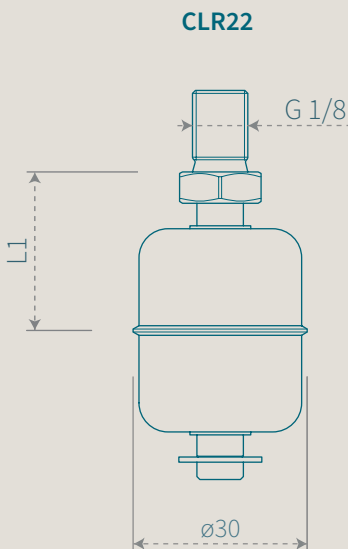
## Customizations



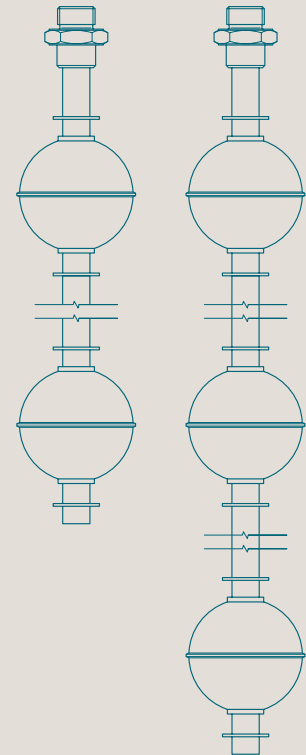
Cable length  
on demand



M12 circular  
connector  
ONLY CLR22



Curved version for  
lateral installation



Versions for the  
control of 2 or 3 levels  
(max 2 for CLR22)

