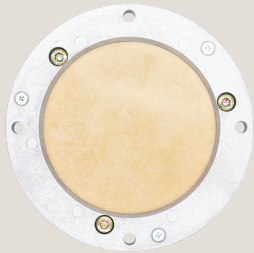




Solids



LEVEL INDICATOR

MN03

Product Line: **Pressure**

Membrane indicator for signaling the level reached by the materials thanks to the pressure exerted on the instrument. Die-cast aluminum housing.



ADVANTAGES

- An **EASY TO INSTALL** instrument that does not require any calibration, maintenance or specific tool for its installation.
- **DURABLE** and **RELIABLE** with aluminium casing, protection **IP65**.
Relay contact rating: 10 A. at 250 V. a.c. Wiring with anti-vibration faston cable lugs. Ambient temperature for rubber membrane from -20 to +60°C and for viton membrane from -20 to +80°C.



ATEX
DUST ZONE 22



European Union
Conformity



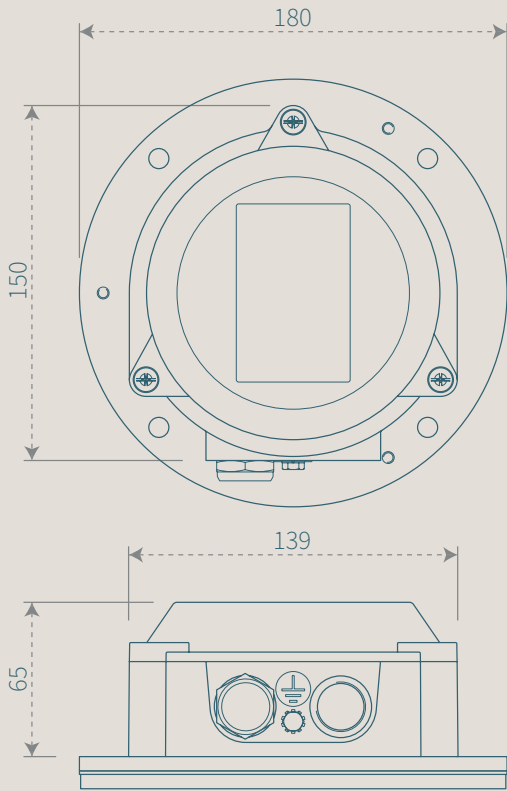
United Kingdom
Conformity

LEVEL INDICATOR MN03

Product Line: **Pressure**



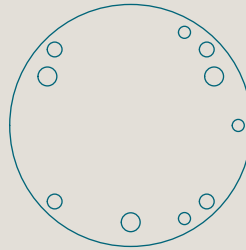
Solids



Customizations



Lamp



Rubber membrane up to **+60°C**

FKM Viton membrane up to **+80°C**

