



## LEVEL INDICATOR

# PFG06

Product Line: **Capacitive**



Solids



Food product

Capacitive level indicator without moving mechanical parts. Version with male thread G 1" 1/2 and electrical connection via faston anti-vibration.

### ADVANTAGES

- An **EASY TO INSTALL** instrument that does not require any calibration, maintenance or specific tool for its installation. It comes with a standard calibration that allows the indicator to perceive the material at a distance of about 1 cm from the probe (it may vary slightly between one material and another). By using the internal adjustment trimmer it is possible to increase the sensitivity or decrease it, thus varying the intervention distance from the probe.
- Extremely **VERSATILE**, it can be installed on tanks, hoppers, on walls or roofs of silos, in a vertical, horizontal or oblique position.
- **CUSTOMIZABLE** with extensions, fixing, voltages.



ATEX  
DUST ZONE 20/21



European Union  
Conformity



United Kingdom  
Conformity

# LEVEL INDICATOR PFG06

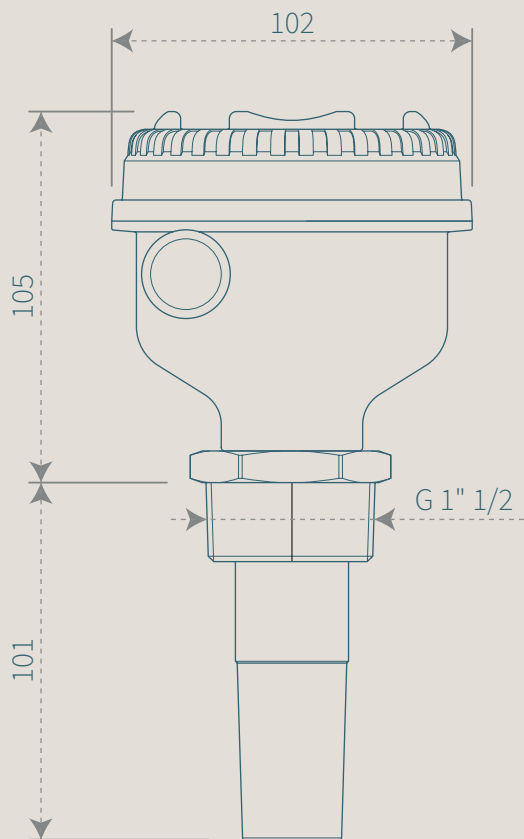
Product Line: **Capacitive**



Solids



Food  
product



## Customizations



115/230V AC



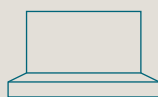
24/48V AC



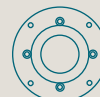
24V DC



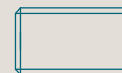
Lamp



Tri-Clamp



Stainless steel  
flange



Stainless steel  
sleeve G 1\"/>

## Extensions

In stainless steel.

- Up to **3000 mm**

