



Solids



Corrosives



High temperature



LEVEL INDICATOR

PFG57AT

Product line: **Rotary**

Small-sized bladed level gauge particularly suitable for use on small tanks or batching cells and for operation in **high temperature** places. Parts in contact with the product are in stainless steel. Version with male thread G 1" 1/2 with a maximum temperature inside the silos of **200°C**.

ADVANTAGES

- An **EASY TO INSTALL** instrument that does not require any calibration, maintenance or specific tool for its installation.
- Thanks to the wide choice of paddles, all of which are interchangeable, it is **ADAPTABLE** to the different densities of the measured materials.
- Extremely **VERSATILE**, it can be installed on tanks, hoppers, on walls or roofs of silos, in a vertical, horizontal or oblique position.
- **CUSTOMIZABLE** with paddles, extensions, voltages.
- **DURABLE** and **RELIABLE** with aluminium casing, stainless steel shaft on ball bearings and electrical connection via anti-vibration faston terminals. Works with ambient temperatures from -20° to +70°C.

OPTIONS

- **4 RPM:** increased rotation speed, to reduce intervention times.



IECEX - ATEX
DUST ZONE 20/21



European Union
Conformity



Eurasian
Conformity



United Kingdom
Conformity

LEVEL INDICATOR PFG57AT

Product line: Rotary



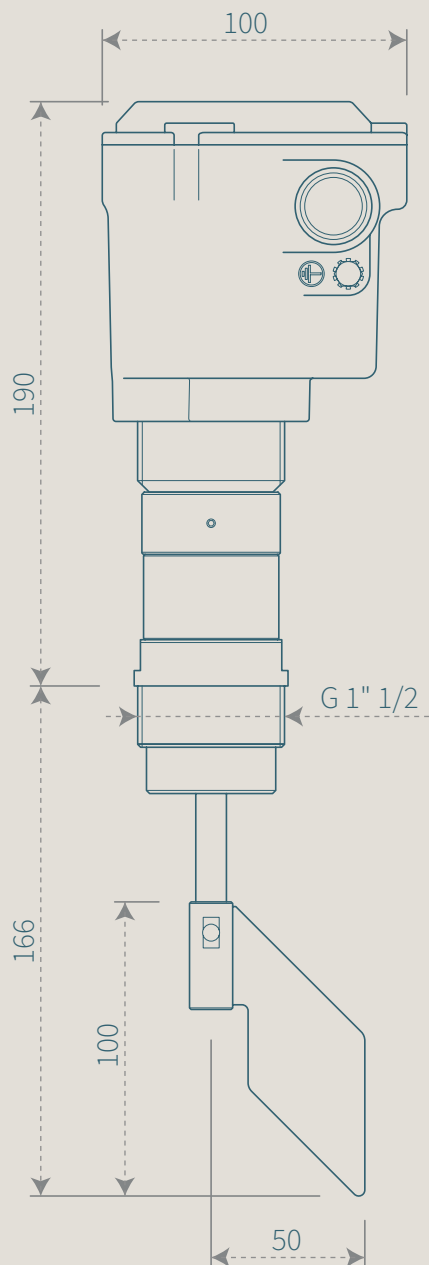
Solids



Corrosives



High temperature



Customizations



115/230V AC



24/48V AC



24V DC



Lamp (only for ATEX Zone 22)



4 RPM



Low temperatures



Stainless steel flange



Stainless steel sleeve G 1" 1/2



Faston terminals (standard)



Screw terminal blocks



Spring terminal blocks



M12 Circular connector

Extensions

In galvanized steel or stainless steel.

- With or without protection, up to **3000 mm**
- Flexible, up to **12 meters**

Compatible paddles

For information on the range of available paddles, refer to the dedicated brochure.

