



LEVEL INDICATOR

PFG05X

Product Line: **Rotary**



Solids



Food products



Corrosives

Sturdy and reliable instrument, particularly suitable for heavy working conditions and continuous cycles. All parts in contact with the product are in stainless steel.

ADVANTAGES

- An **EASY TO INSTALL** instrument that does not require any calibration, maintenance or specific tools for its installation.
- Thanks to the wide choice of paddles, all of which are interchangeable, it is **ADAPTABLE** to the different densities of the measured materials.
- Extremely **VERSATILE**, it can be installed on tanks, hoppers, on walls or roofs of silos, in a vertical, horizontal or oblique position.
- **CUSTOMIZABLE** with **paddles, extensions, voltages** and different electrical connection options.
- **DURABLE** and **RELIABLE** with aluminium casing, stainless steel shaft on ball bearings and electrical connection via anti-vibration faston terminals. Works with ambient temperatures from -20° to +70°C.

OPTIONS



CONDENSATION FILTER:
helps preventing the formation of condensation inside the casing.



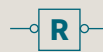
LOW TEMPERATURES:
allows the instrument to operate up to -40°C.



ROTATION CONTROL:
8 pulses per rotation remotely notifying that the level indicator is working correctly.



DOUBLE CONTACT:
one additional dry contact to control more plant automations.



VOLTAGE CONTROL:
to check the correct power supply of the level indicator.



4 RPM:
increased rotation speed, to reduce intervention times.

 **IECEx - ATEX DUST ZONE 20/21**

 **European Union Conformity**

 **Eurasian Conformity**

 **United Kingdom Conformity**

LEVEL INDICATOR PFG05X

Product Line: **Rotary**



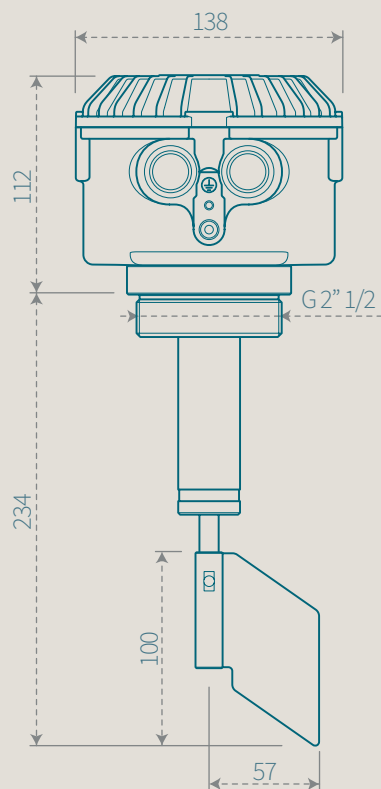
Solids



Food products



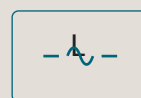
Corrosives



Customizations



115/230V AC



24/48V AC



24V DC



4 RPM



Voltage control



Rotation control



Lamp (only for ATEX Zone 22)



Double contact



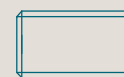
Low temperatures



Condensation filter



Stainless steel flange



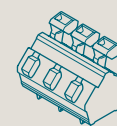
Stainless steel sleeve G 2" 1/2



Faston terminals (standard)



Screw terminal blocks



Spring terminal blocks



M12 Circular connector

Extensions

In stainless steel.

- With or without protection, up to **3000 mm**
- Adjustable, with additional holes **to alter the paddle position**

Compatible paddles

For information on the range of available paddles, refer to the dedicated brochure.

